



事務連絡
平成21年5月19日

各都道府県衛生主管部（局）
薬務主管課 御中

厚生労働省医薬食品局審査管理課

第十五改正日本薬局方の一部改正に係る英文版について

標記について、平成21年3月31日厚生労働省告示第190号により、第十五改正日本薬局方の一部改正をしたところですが、今般、別添のとおり英文版を作成しましたので御連絡いたします。

なお、当該英文版に対応する邦文版を参考として添付いたします。

4.05 Microbiological Examination of Non-sterile Products

Change to read as follows:

This chapter includes microbial enumeration tests and tests for specified micro-organisms. For the test, use a mixture of several portions selected at random from the bulk or from the contents of a sufficient number of containers. If test specimens are diluted with fluid medium, the test should be performed quickly. In performing the test, precautions must be taken to prevent biohazard.

I. Microbiological Examination of Non-sterile Products: Microbial Enumeration Tests

These tests are harmonized with the European Pharmacopoeia and the U.S. Pharmacopeia.

1 Introduction

The tests described hereafter will allow quantitative enumeration of mesophilic bacteria and fungi which may grow under aerobic conditions.

The tests are designed primarily to determine whether a substance or preparation complies with an established specification for microbiological quality. When used for such purposes follow the instructions given below, including the number of samples to be taken and interpret the results as stated below.

The methods are not applicable to products containing viable micro-organisms as active ingredients.

Alternative microbiological procedures, including automated methods, may be used, provided that their equivalence to the Pharmacopoeial method has been demonstrated.

2 General Procedures

Carry out the determination under conditions designed to avoid extrinsic microbial contamination of the product to be examined. The precautions taken to avoid contamination must be such that they do not affect any micro-organisms which are to be revealed in the test.

If the product to be examined has antimicrobial activity, this is insofar as possible removed or neutralized. If inactivators are used for this purpose their efficacy and their absence of toxicity for micro-organisms must be demonstrated.

If surface-active substances are used for sample preparation, their absence of toxicity for micro-organisms and their compatibility with inactivators used must be demonstrated.

3 Enumeration Methods

Use the membrane filtration method, or the plate-count methods, as prescribed. The most probable number (MPN) method is generally the least accurate method for microbial counts; however, for certain product groups with very low bioburden, it may be the most appropriate method.

The choice of a method is based on factors such as the nature of the product and the required limit of micro-organisms. The method chosen must allow testing of a sufficient sample size to judge compliance with the specification. The suitability of the chosen method must be established.

4 Growth Promotion Test, Suitability of the Counting Method and Negative Controls

4.1 General considerations

The ability of the test to detect micro-organisms in the presence of product to be tested must be established.

Suitability must be confirmed if a change in testing performance, or the product, which may affect the outcome of the test is introduced.

4-2 Preparation of test strains

Use standardised stable suspensions of test strains or prepare as stated below.

Seed lot culture maintenance techniques (seed-lot systems) are used so that the viable micro-organisms used for inoculation are not more than 5 passages removed from the original master seed-lot. Grow each of the bacterial and fungal test strains separately as described in Table 4.05-I-1.

Use *buffered sodium chloride-peptone solution pH 7.0* or *phosphate buffer solution pH 7.2* to make test suspensions; to suspend *A. niger* spores, 0.05 per cent of polysorbate 80 may be added to the buffer. Use the suspensions within 2 h or within 24 h if stored at 2 – 8°C. As an alternative to preparing and then diluting a fresh suspension of vegetative cells of *A. niger* or *B. subtilis*, a stable spore suspension is prepared and then an appropriate volume of the spore suspension is used for test inoculation. The stable spore suspension may be maintained at 2 – 8°C for a validated period of time.

Table 4.05-I-1 Preparation and use of test micro-organisms

Micro-organism	Preparation of test strain	Growth promotion		Suitability of counting method in the presence of the product	
		Total aerobic microbial count	Total yeasts and moulds count	Total aerobic microbial count	Total yeasts and moulds count
<i>Staphylococcus aureus</i> such as ATCC 6538, NCIMB 9518, CIP 4.83 or NBRC 13276	Casein soya bean digest agar or casein soya bean digest broth 30 – 35°C 18 – 24 h	Casein soya bean digest agar and casein soya bean digest broth ≤ 100 CFU 30 – 35°C ≤ 3 days		Casein soya bean digest agar/MPN casein soya bean digest broth ≤ 100 CFU 30 – 35°C ≤ 3 days	
<i>Pseudomonas aeruginosa</i> such as ATCC 9027, NCIMB 8626, CIP 82.118 or NBRC 13275	Casein soya bean digest agar or casein soya bean digest broth 30 – 35°C 18 – 24 h	Casein soya bean digest agar and casein soya bean digest broth ≤ 100 CFU 30 – 35°C ≤ 3 days		Casein soya bean digest agar/MPN casein soya bean digest broth ≤ 100 CFU 30 – 35°C ≤ 3 days	
<i>Bacillus subtilis</i> such as ATCC 6633, NCIMB 8054, CIP 52.62 or NBRC 3134	Casein soya bean digest agar or casein soya bean digest broth 30 – 35°C 18 – 24 h	Casein soya bean digest agar and casein soya bean digest broth ≤ 100 CFU 30 – 35°C ≤ 3 days		Casein soya bean digest agar/MPN casein soya bean digest broth ≤ 100 CFU 30 – 35°C ≤ 3 days	
<i>Candida albicans</i> such as ATCC 10231, NCPF 3179, IP 48.72 or NBRC 1594	Sabouraud-dextrose agar or Sabouraud-dextrose broth 20 – 25°C 2 – 3 days	Casein soya bean digest agar ≤ 100 CFU 30 – 35°C ≤ 5 days	Sabouraud-dextrose agar ≤ 100 CFU 20 – 25°C ≤ 5 days	Casein soya bean digest agar ≤ 100 CFU 30 – 35°C ≤ 5 days MPN: not applicable	Sabouraud-dextrose agar ≤ 100 CFU 20 – 25°C ≤ 5 days
<i>Aspergillus niger</i> such as ATCC 16404, IMI 149007, IP 1431.83 or NBRC 9455	Sabouraud-dextrose agar or potato-dextrose agar 20 – 25°C 5 – 7 days, or until good sporulation is achieved	Casein soya bean digest agar ≤ 100 CFU 30 – 35°C ≤ 5 days	Sabouraud-dextrose agar ≤ 100 CFU 20 – 25°C ≤ 5 days	Casein soya bean digest agar ≤ 100 CFU 30 – 35°C ≤ 5 days MPN: not applicable	Sabouraud-dextrose agar ≤ 100 CFU 20 – 25°C ≤ 5 days

4-3 Negative control

To verify testing conditions a negative control is performed using the chosen diluent in place of the test preparation. There must be no growth of micro-organisms. A negative control is also performed when testing the products as described under 5. A failed negative control requires an investigation.

4-4 Growth promotion of the media

Test each batch of ready-prepared medium and each batch of medium, prepared either from dehydrated medium or from the ingredients described.

Inoculate portions/plates of *casein soya bean digest broth* and *casein soya bean digest agar* with a small number (not more than 100 CFU) of the micro-organisms indicated in Table 4.05-I-1, using a separate portion/plate of medium for each. Inoculate plates of *Sabouraud-dextrose agar* with a small number (not more than 100 CFU) of the micro-organisms indicated in Table 4.05-I-1, using a separate plate of medium for each. Incubate in the conditions described in Table 4.05-I-1.

For solid media, growth obtained must not differ by a factor greater than 2 from the calculated value for a standardized inoculum. For a freshly prepared inoculum, growth of the micro-organisms comparable to that previously obtained with a previously tested and approved batch of medium occurs.

Liquid media are suitable if clearly visible growth of the micro-organisms comparable to that previously obtained with a previously tested and approved batch of medium occurs.

4-5 Suitability of the counting method in the presence of product

4-5-1 Preparation of the sample

The method for sample preparation depends on the physical characteristics of the product to be tested. If none of the procedures described below can be demonstrated to be satisfactory, an alternative procedure must be developed.

Water-soluble products—Dissolve or dilute (usually a 1 in 10 dilution is prepared) the product to be examined in *buffered sodium chloride-peptone solution pH 7.0*, *phosphate buffer solution pH 7.2* or *casein soya bean digest broth*. If necessary adjust to pH 6 – 8. Further dilutions, where necessary, are prepared with the same diluent.

Non-fatty products insoluble in water—Suspend the product to be examined (usually a 1 in 10 dilution is prepared) in *buffered sodium chloride-peptone solution pH 7.0*, *phosphate buffer solution pH 7.2* or *casein soya bean digest broth*. A surface-active agent such as 1 g/L of Polysorbate 80 may be added to assist the suspension of poorly wettable substances. If necessary adjust to pH 6 – 8. Further dilutions, where necessary, are prepared with the same diluent.

Fatty products—Dissolve in isopropyl myristate, sterilized by filtration or mix the product to be examined with the minimum necessary quantity of sterile polysorbate 80 or another non-inhibitory sterile surface-active reagent, heated if necessary to not more than 40°C, or in exceptional cases to not more than 45°C. Mix carefully and if necessary maintain the temperature in a water-bath. Add sufficient of the pre-warmed chosen diluent to make a 1 in 10 dilution of the original product. Mix carefully whilst maintaining the temperature for the shortest time necessary for the formation of an emulsion. Further serial tenfold dilutions may be prepared using the chosen diluent containing a suitable concentration of sterile polysorbate 80 or another non-inhibitory sterile surface-active reagent.

Fluids or solids in aerosol form—Aseptically transfer the product into a membrane filter apparatus or a sterile container for further sampling. Use either the total contents or a defined number of metered doses from each of the containers tested.

Transdermal patches—Remove the protective cover sheets (“release liner”) of the transdermal patches and place them, adhesive side upwards, on sterile glass or plastic trays. Cover the adhesive surface with sterile porous material, for example sterile gauze, to prevent the patches from sticking together, and transfer the patches to a suitable volume of the chosen diluent containing inactivators such as Polysorbate 80 and/or lecithin. Shake the preparation vigorously for at least 30 min.

4-5-2 Inoculation and dilution

Add to the sample prepared as described above (4-5-1) and to a control (with no test material included) a sufficient volume of the microbial suspension to obtain an inoculum of not more than 100 CFU. The volume of the suspension of the inoculum should not exceed 1

per cent of the volume of diluted product.

To demonstrate acceptable microbial recovery from the product, the lowest possible dilution factor of the prepared sample must be used for the test. Where this is not possible due to antimicrobial activity or poor solubility, further appropriate protocols must be developed.

If inhibition of growth by the sample cannot otherwise be avoided, the aliquot of the microbial suspension may be added after neutralization, dilution or filtration.

4-5-3 Neutralization/removal of antimicrobial activity

The number of micro-organisms recovered from the prepared sample diluted as described in 4-5-2 and incubated following the procedure described in 4-5-4, is compared to the number of micro-organisms recovered from the control preparation.

If growth is inhibited (reduction by a factor greater than 2), then modify the procedure for the particular enumeration test to ensure the validity of the results. Modification of the procedure may include, for example, (1) an increase in the volume of the diluent or culture medium, (2) incorporation of a specific or general neutralizing agents into the diluent, (3) membrane filtration or (4) a combination of the above measures.

Neutralizing agents—Neutralizing agents may be used to neutralize the activity of antimicrobial agents (Table 4.05-I-2). They may be added to the chosen diluent or the medium preferably before sterilization. If used, their efficacy and their absence of toxicity for micro-organisms must be demonstrated by carrying out a blank with neutralizer and without product.

If no suitable neutralizing method can be found, it can be assumed that the failure to isolate the inoculated organism is attributable to the microbicidal activity of the product. This information serves to indicate that the article is not likely to be contaminated with the given species of the micro-organism. However, it is possible that the product only inhibits some of the micro-organisms specified herein, but does not inhibit others not included amongst the test strains or for which the latter are not representative. Then, perform the test with the highest dilution factor compatible with microbial growth and the specific acceptance criterion.

Table 4.05-I-2 Common neutralizing agents/method for interfering substances

Interfering substance	Potential neutralizing agents/method
Glutaraldehyde, Mercurials	Sodium hydrogen sulfite (Sodium bisulfite)
Phenolics, Alcohol, Aldehydes, Sorbate	Dilution
Aldehydes	Glycine
Quaternary Ammonium Compounds (QACs), Parahydroxybenzoates (Parabens), Bis-biguanides	Lecithin
QAC, Parabens, Iodine	Polysorbate
Mercurials	Thioglycollate
Mercurials, Halogens, Aldehydes	Thiosulfate
EDTA (edetate)	Mg or Ca ions

4-5-4 Recovery of micro-organism in the presence of product

For each of the micro-organisms listed in Table 4.05-I-1, separate tests are performed. Only micro-organisms of the added test strain are counted.

4-5-4-1 Membrane filtration

Use membrane filters having a nominal pore size not greater than 0.45 mm. The type of filter material is chosen in such a way that the bacteria-retaining efficiency is not affected by

the components of the sample to be investigated. For each of the micro-organisms listed in Table 4.05-I-1, one membrane filter is used.

Transfer a suitable amount of the sample prepared as described under 4-5-1 to 4-5-3 (preferably representing 1 g of the product, or less if large numbers of CFU are expected) to the membrane filter, filter immediately and rinse the membrane filter with an appropriate volume of diluent.

For the determination of total aerobic microbial count (TAMC), transfer the membrane filter to the surface of *casein soya bean digest agar*. For the determination of total combined yeasts/moulds count (TYMC) transfer the membrane to the surface of *Sabouraud-dextrose agar*. Incubate the plates as indicated in Table 4.05-I-1. Perform the counting.

4-5-4-2 Plate-count methods

Perform plate-count methods at least in duplicate for each medium and use the mean count of the result.

4-5-4-2-1 Pour-plate method

For Petri dishes 9 cm in diameter, add to the dish 1 mL of the sample prepared as described under 4-5-1 to 4-5-3 and 15 – 20 mL of *casein soya bean digest agar* or *Sabouraud-dextrose agar*, both media being at not more than 45°C. If larger Petri dishes are used, the amount of agar medium is increased accordingly. For each of the micro-organisms listed in Table 4.05-I-1, at least 2 Petri dishes are used.

Incubate the plates as indicated in Table 4.05-I-1. Take the arithmetic mean of the counts per medium and calculate the number of CFU in the original inoculum.

4-5-4-2-2 Surface-spread method

For Petri dishes 9 cm in diameter, add 15 – 20 mL of *casein soya bean digest agar* or *Sabouraud-dextrose agar* at about 45°C to each Petri dish and allow to solidify. If larger Petri dishes are used, the volume of the agar is increased accordingly. Dry the plates, for example in a laminar-airflow cabinet or in an incubator. For each of the micro-organisms listed in Table 4.05-I-1, at least 2 Petri dishes are used. Spread a measured volume of not less than 0.1 mL of the sample prepared as described under 4-5-1 to 4-5-3 over the surface of the medium. Incubate and count as prescribed under 4-5-4-2-1.

4-5-4-3 Most-probable-number (MPN) method

The precision and accuracy of the MPN method is less than that of the membrane filtration method or the platecount method. Unreliable results are obtained particularly for the enumeration of moulds. For these reasons the MPN method is reserved for the enumeration of TAMC in situations where no other method is available. If the use of the method is justified, proceed as follows.

Prepare a series of at least 3 serial tenfold dilutions of the product as described under 4-5-1 to 4-5-3. From each level of dilution, 3 aliquots of 1 g or 1 mL are used to inoculate 3 tubes with 9 – 10 mL of *casein soya bean digest broth*. If necessary a surface-active agent such as polysorbate 80, or an inactivator of antimicrobial agents may be added to the medium. Thus, if 3 levels of dilution are prepared 9 tubes are inoculated.

Incubate all tubes at 30 – 35°C for not more than 3 days. If reading of the results is difficult or uncertain owing to the nature of the product to be examined, subculture in the same broth, or *casein soya bean digest agar*, for 1 – 2 days at the same temperature and use these results. Determine the most probable number of micro-organisms per gram or milliliter of the product to be examined from Table 4.05-I-3.

4-6 Results and interpretation

When verifying the suitability of the membrane filtration method or the plate-count method, a mean count of any of the test organisms not differing by a factor greater than 2 from the value of the control defined in 4-5-2 in the absence of the product must be obtained. When verifying the suitability of the MPN method the calculated value from the inoculum must be within 95 per cent confidence limits of the results obtained with the control.

If the above criteria cannot be met for one or more of the organisms tested with any of the described methods, the method and test conditions that come closest to the criteria are used to test the product.

5 Testing of Products

5-1 Amount used for the test

Unless otherwise prescribed, use 10 g or 10 mL of the product to be examined taken with the precautions referred to above. For fluids or solids in aerosol form, sample 10 containers. For transdermal patches, sample 10 patches.

The amount to be tested may be reduced for active substances that will be formulated in the following conditions: the amount per dosage unit (e.g. tablet, capsule, injection) is less than or equal to 1 mg or the amount per gram or milliliter (for preparations not presented in dose units) is less than 1 mg. In these cases, the amount of sample to be tested is not less than the amount present in 10 dosage units or 10 g or 10 mL of the product.

For materials used as active substances where sample quantity is limited or batch size is extremely small (i.e. less than 1000 mL or 1000 g), the amount tested shall be 1 per cent of the batch unless a lesser amount is prescribed or justified and authorised.

For products where the total number of entities in a batch is less than 200 (e.g. samples used in clinical trials), the sample size may be reduced to 2 units, or 1 unit if the size is less than 100.

Select the sample(s) at random from the bulk material or from the available containers of the preparation. To obtain the required quantity, mix the contents of a sufficient number of containers to provide the sample.

5-2 Examination of the product

5-2-1 Membrane filtration

Use a filtration apparatus designed to allow the transfer of the filter to the medium. Prepare the sample using a method that has been shown suitable as described in section 4 and transfer the appropriate amount to each of 2 membrane filters and filter immediately. Wash each filter following the procedure shown to be suitable.

For the determination of TAMC, transfer one of the membrane filters to the surface of *casein soya bean digest agar*. For the determination of TYMC, transfer the other membrane to the surface of *Sabouraud-dextrose agar*. Incubate the plate of *casein soya bean digest agar* at 30 – 35°C for 3 – 5 days and the plate of *Sabouraud-dextrose agar* at 20 – 25°C for 5 – 7 days. Calculate the number of CFU per gram or per millilitre of product.

When examining transdermal patches, filter 10 per cent of the volume of the preparation described under 4-5-1 separately through each of 2 sterile filter membranes. Transfer one membrane to *casein soya bean digest agar* for TAMC and the other membrane to *Sabouraud-dextrose agar* for TYMC.

5-2-2 Plate-count methods

5-2-2-1 Pour-plate method

Prepare the sample using a method that has been shown to be suitable as described in section 4. Prepare for each medium at least 2 Petri dishes for each level of dilution. Incubate the plates of *casein soya bean digest agar* at 30 – 35°C for 3 – 5 days and the plates of *Sabouraud-dextrose agar* at 20 – 25°C for 5 – 7 days. Select the plates corresponding to a given dilution and showing the highest number of colonies less than 250 for TAMC and 50 for TYMC. Take the arithmetic mean per culture medium of the counts and calculate the number of CFU per gram or per millilitre of product.

5-2-2-2 Surface-spread method

Prepare the sample using a method that has been shown to be suitable as described in section 4. Prepare at least 2 Petri dishes for each medium and each level of dilution. For incubation and calculation of the number of CFU proceed as described for the pour-plate method.

5-2-3 Most-probable-number method

Prepare and dilute the sample using a method that has been shown to be suitable as described in section 4. Incubate all tubes for 3 – 5 days at 30 – 35°C. Subculture if necessary, using the procedure shown to be suitable. Record for each level of dilution the number of tubes showing microbial growth. Determine the most probable number of micro-organisms per gram or millilitre of the product to be examined from Table 4.05-I-3.

5-3 Interpretation of the results

The total aerobic microbial count (TAMC) is considered to be equal to the number of CFU found using *casein soya bean digest agar*; if colonies of fungi are detected on this medium, they are counted as part of TAMC. The total combined yeasts/mould count (TYMC) is considered to be equal to the number of CFU found using *Sabouraud-dextrose agar* if colonies of bacteria are detected on this medium, they are counted as part of TYMC. When the TYMC is expected to exceed the acceptance criterion due to the bacterial growth, *Sabouraud-dextrose agar* containing antibiotics may be used. If the count is carried out by the MPN method the calculated value is the TAMC.

When an acceptance criterion for microbiological quality is prescribed it is interpreted as follows:

- 10^1 CFU: maximum acceptable count = 20,
- 10^2 CFU: maximum acceptable count = 200,
- 10^3 CFU: maximum acceptable count = 2000, and so forth.

The recommended solutions and media are described in *Tests for specified micro-organisms*.

Table 4.05-I-3 Most-probable-number values of micro-organisms

Observed combinations of numbers of tubes showing growth in each set			MPN per g or per mL of product	95 per cent confidence limits
Number of g or mL of product per tube				
0.1	0.01	0.001		
0	0	0	Less than 3	0 - 9.4
0	0	1	3	0.1 - 9.5
0	1	0	3	0.1 - 10
0	1	1	6.1	1.2 - 17
0	2	0	6.2	1.2 - 17
0	3	0	9.4	3.5 - 35
1	0	0	3.6	0.2 - 17
1	0	1	7.2	1.2 - 17
1	0	2	11	4 - 35
1	1	0	7.4	1.3 - 20
1	1	1	11	4 - 35
1	2	0	11	4 - 35
1	2	1	15	5 - 38
1	3	0	16	5 - 38
2	0	0	9.2	1.5 - 35
2	0	1	14	4 - 35
2	0	2	20	5 - 38
2	1	0	15	4 - 38
2	1	1	20	5 - 38
2	1	2	27	9 - 94
2	2	0	21	5 - 40
2	2	1	28	9 - 94
2	2	2	35	9 - 94
2	3	0	29	9 - 94
2	3	1	36	9 - 94
3	0	0	23	5 - 94
3	0	1	38	9 - 104
3	0	2	64	16 - 181
3	1	0	43	9 - 181
3	1	1	75	17 - 199
3	1	2	120	30 - 360
3	1	3	160	30 - 380
3	2	0	93	18 - 360
3	2	1	150	30 - 380
3	2	2	210	30 - 400
3	2	3	290	90 - 990
3	3	0	240	40 - 990
3	3	1	460	90 - 1980
3	3	2	1100	200 - 4000
3	3	3	More than 1100	

II. Microbiological Examination of Non-sterile Products: Tests for Specified Micro-organisms

These tests are harmonized with the European Pharmacopoeia and the U.S. Pharmacopeia.

1 Introduction

The tests described hereafter will allow determination of the absence of, or limited occurrence of specified microorganisms which may be detected under the conditions described.

The tests are designed primarily to determine whether a substance or preparation complies

with an established specification for microbiological quality. When used for such purposes follow the instructions given below, including the number of samples to be taken and interpret the results as stated below.

Alternative microbiological procedures, including automated methods may be used, provided that their equivalence to the Pharmacopoeial method has been demonstrated.

2 General Procedures

The preparation of samples is carried out as described in Microbial enumeration tests.

If the product to be examined has antimicrobial activity, this is insofar as possible removed or neutralized as described in *Microbial enumeration tests*.

If surface-active substances are used for sample preparation, their absence of toxicity for micro-organisms and their compatibility with inactivators used must be demonstrated as described in *Microbial enumeration tests*.

3 Growth Promoting and Inhibitory Properties of the Media, Suitability of the Test and Negative Controls

The ability of the test to detect micro-organisms in the presence of the product to be tested must be established. Suitability must be confirmed if a change in testing performance, or the product, which may affect the outcome of the test is introduced.

3-1 Preparation of test strains

Use standardised stable suspensions of test strains or prepare as stated below. Seed lot culture maintenance techniques (seed-lot systems) are used so that the viable microorganisms used for inoculation are not more than 5 passages removed from the original master seed-lot.

3-1-1 Aerobic micro-organisms

Grow each of the bacterial test strains separately in containers containing *casein soya bean digest broth* or on *casein soya bean digest agar* at 30 – 35°C for 18 – 24 hours. Grow the test strain for *Candida albicans* separately on *Sabouraud-dextrose agar* or in *Sabouraud-dextrose broth* at 20 – 25°C for 2–3 days.

Staphylococcus aureus such as ATCC 6538, NCIMB 9518, CIP 4.83 or NBRC 13276,
Pseudomonas aeruginosa such as ATCC 9027, NCIMB 8626, CIP 82.118 or NBRC 13275,
Escherichia coli such as ATCC 8739, NCIMB 8545, CIP 53.126 or NBRC 3972,
Salmonella enterica subsp. *enterica* serovar Typhimurium such as ATCC 14028 or, as an alternative,

Salmonella enterica subsp. *enterica* serovar Abony such as NBRC 100797, NCTC 6017 or CIP 80.39,

Candida albicans such as ATCC 10231, NCPF 3179, IP 48.72 or NBRC 1594.

Use *buffered sodium chloride-peptone solution pH 7.0* or *phosphate buffer solution pH 7.2* to make test suspensions. Use the suspensions within 2 hours or within 24 hours if stored at 2 – 8°C.

3-1-2 Clostridia

Use *Clostridium sporogenes* such as ATCC 11437 (NBRC 14293, NCIMB 12343, CIP 100651) or ATCC 19404 (NCTC 532 or CIP 79.3). Grow the clostridial test strain under anaerobic conditions in *reinforced medium for Clostridia* at 30 – 35°C for 24 – 48 hours. As an alternative to preparing and then diluting down a fresh suspension of vegetative cells of *Cl. sporogenes*, a stable spore suspension is used for test inoculation. The stable spore suspension may be maintained at 2 – 8°C for a validated period.

3-2 Negative control

To verify testing conditions a negative control is performed using the chosen diluent in place of the test preparation. There must be no growth of micro-organisms. A negative control is also performed when testing the products as described under 4. A failed negative control requires an investigation.

3-3 Growth promotion and inhibitory properties of the media

Test each batch of ready-prepared medium and each batch of medium prepared either from dehydrated medium or from ingredients.

Verify suitable properties of relevant media as described in Table 4.05-II-1.

Test for growth promoting properties, liquid media: inoculate a portion of the appropriate medium with a small number (not more than 100 CFU) of the appropriate microorganism. Incubate at the specified temperature for not more than the shortest period of time specified in the test. Clearly visible growth of the micro-organism comparable to that previously obtained with a previously tested and approved batch of medium occurs.

Test for growth promoting properties, solid media: perform surface-spread method, inoculating each plate with a small number (not more than 100 CFU) of the appropriate micro-organism. Incubate at the specified temperature for not more than the shortest period of time specified in the test. Growth of the micro-organism comparable to that previously obtained with a previously tested and approved batch of medium occurs.

Test for inhibitory properties, liquid or solid media: inoculate the appropriate medium with at least 100 CFU of the appropriate micro-organism. Incubate at the specified temperature for not less than the longest period of time specified in the test. No growth of the test micro-organism occurs.

Test for indicative properties: perform surface-spread method, inoculating each plate with a small number (not more than 100 CFU) of the appropriate micro-organism. Incubate at the specified temperature for a period of time within the range specified in the test. Colonies are comparable in appearance and indication reactions to those previously obtained with a previously tested and approved batch of medium.

3-4 Suitability of the test method

For each product to be tested perform sample preparation as described in the relevant paragraph in section 4. Add each test strain at the time of mixing, in the prescribed growth medium. Inoculate the test strains individually. Use a number of micro-organisms equivalent to not more than 100 CFU in the inoculated test preparation.

Perform the test as described in the relevant paragraph in section 4 using the shortest incubation period prescribed.

The specified micro-organisms must be detected with the indication reactions as described in section 4.

Any antimicrobial activity of the product necessitates a modification of the test procedure (see 4-5-3 of *Microbial Enumeration Tests*).

If for a given product the antimicrobial activity with respect to a micro-organism for which testing is prescribed cannot be neutralised, then it is to be assumed that the inhibited micro-organism will not be present in the product.

4 Testing of Products

4-1 Bile-tolerant gram-negative bacteria

4-1-1 Sample preparation and pre-incubation

Prepare a sample using a 1 in 10 dilution of not less than 1 g of the product to be examined as described in *Microbial enumeration tests*, but using *casein soya bean digest broth* as the chosen diluent, mix and incubate at 20 – 25°C for a time sufficient to resuscitate the bacteria but not sufficient to encourage multiplication of the organisms (usually 2 hours but not more than 5 hours).

4-1-2 Test for absence

Unless otherwise prescribed use the volume corresponding to 1 g of the product, as prepared in 4-1-1 to inoculate *enterobacteria enrichment broth-Mossel*. Incubate at 30 – 35°C for 24 – 48 hours. Subculture on plates of *violet red bile glucose agar*. Incubate at 30 – 35°C for 18 – 24 hours.

The product complies with the test if there is no growth of colonies.

4-1-3 Quantitative test

4-1-3-1 Selection and subculture

Inoculate suitable quantities of *enterobacteria enrichment broth-Mossel* with the preparation as described under 4-1-1 and/or dilutions of it containing respectively 0.1 g, 0.01 g and 0.001 g (or 0.1 mL, 0.01 mL and 0.001 mL) of the product to be examined. Incubate at 30 – 35°C for 24 – 48 hours. Subculture each of the cultures on a plate of *violet red bile glucose agar*. Incubate at 30–35°C for 18 – 24 hours.

4-1-3-2 Interpretation

Growth of colonies constitutes a positive result. Note the smallest quantity of the product that gives a positive result and the largest quantity that gives a negative result. Determine from Table 4.05-II-2 the probable number of bacteria.

4-2 *Escherichia coli*

4-2-1 Sample preparation and pre-incubation

Prepare a sample using a 1 in 10 dilution of not less than 1 g of the product to be examined as described in *Microbial enumeration tests* and use 10 mL or the quantity corresponding to 1 g or 1 mL to inoculate a suitable amount (determined as described under 3-4) of *casein soya bean digest broth*, mix and incubate at 30 – 35°C for 18 – 24 hours.

4-2-2 Selection and subculture

Shake the container, transfer 1 mL of *casein soya bean digest broth* to 100 mL of *MacConkey broth* and incubate at 42 – 44°C for 24 – 48 hours. Subculture on a plate of *MacConkey agar* at 30 – 35°C for 18 – 72 hours.

4-2-3 Interpretation

Growth of colonies indicates the possible presence of *E. coli*. This is confirmed by identification tests.

The product complies with the test if no colonies are present or if the identification tests are negative.

4-3 *Salmonella*

4-3-1 Sample preparation and pre-incubation

Prepare the product to be examined as described in *Microbial enumeration tests* and use the quantity corresponding to not less than 10 g or 10 mL to inoculate a suitable amount (determined as described under 3-4) of *casein soya bean digest broth*, mix and incubate at 30 – 35°C for 18 – 24 hours.

4-3-2 Selection and subculture

Transfer 0.1 mL of *casein soya bean digest broth* to 10 mL of *Rappaport Vassiliadis Salmonella enrichment broth* and incubate at 30 – 35°C for 18 – 24 hours. Subculture on plates of *xylose, lysine, deoxycholate agar*. Incubate at 30 – 35°C for 18 – 48 hours.

4-3-3 Interpretation

The possible presence of *Salmonella* is indicated by the growth of well-developed, red colonies, with or without black centres. This is confirmed by identification tests.

The product complies with the test if colonies of the types described are not present or if the confirmatory identification tests are negative.

4-4 *Pseudomonas aeruginosa*

4-4-1 Sample preparation and pre-incubation

Prepare a sample using a 1 in 10 dilution of not less than 1 g of the product to be examined as described in *Microbial enumeration tests* and use 10 mL or the quantity corresponding to 1 g or 1 mL to inoculate a suitable amount (determined as described under 3-4) of *casein soya bean digest broth* and mix. When testing transdermal patches, filter the volume of sample corresponding to 1 patch of the preparation described in *Microbial enumeration tests* (4-5-1) through a sterile filter membrane and place in 100 mL of *casein soya bean digest broth*.

Incubate at 30 – 35°C for 18 – 24 hours.

4-4-2 Selection and subculture

Subculture on a plate of *cetrimide agar* and incubate at 30 – 35°C for 18 – 72 hours.

4-4-3 Interpretation

Growth of colonies indicates the possible presence of *P. aeruginosa*. This is confirmed by identification tests.

The product complies with the test if colonies are not present or if the confirmatory identification tests are negative.

4-5 *Staphylococcus aureus*

4-5-1 Sample preparation and pre-incubation

Prepare a sample using a 1 in 10 dilution of not less than 1 g of the product to be examined as described in *Microbial enumeration tests* and use 10 mL or the quantity corresponding to 1 g or 1 mL to inoculate a suitable amount (determined as described under 3-4) of *casein soya bean digest broth* and homogenise. When testing transdermal patches, filter the volume of sample corresponding to 1 patch of the preparation described in *Microbial enumeration tests* (4-5-1) through a sterile filter membrane and place in 100 mL of *casein soya bean digest broth*. Incubate at 30 – 35°C for 18 – 24 hours.

4-5-2 Selection and subculture

Subculture on a plate of *mannitol salt agar* and incubate at 30 – 35°C for 18 – 72 hours.

4-5-3 Interpretation

The possible presence of *S. aureus* is indicated by the growth of yellow/white colonies surrounded by a yellow zone. This is confirmed by identification tests.

The product complies with the test if colonies of the types described are not present or if the confirmatory identification tests are negative.

4-6 Clostridia

4-6-1 Sample preparation and heat treatment

Prepare a sample using a 1 in 10 dilution (with a minimum total volume of 20 mL) of not less than 2 g or 2 mL of the product to be examined as described in *Microbial enumeration tests*.

Divide the sample into two portions of at least 10 mL. Heat 1 portion at 80°C for 10 min and cool rapidly. Do not heat the other portion.

4-6-2 Selection and subculture

Use 10 mL or the quantity corresponding to 1 g or 1 mL of the product to be examined of both portions to inoculate suitable amounts (determined as described under 3-4) of *Reinforced clostridium medium*. Incubate under anaerobic conditions at 30 – 35°C for 48 hours. After incubation, make subcultures from each container on *Columbia agar* and incubate under anaerobic conditions at 30 – 35°C for 48 – 72 hours.

4-6-3 Interpretation

The occurrence of anaerobic growth of rods (with or without endospores) giving a negative catalase reaction indicates the presence of *Clostridia*. This is confirmed by identification tests.

The product complies with the test if colonies of the types described are not present or if the confirmatory identification tests are negative.

4-7 *Candida albicans*

4-7-1 Sample preparation and pre-incubation

Prepare the product to be examined as described in *Microbial enumeration tests* and use 10 mL or the quantity corresponding to not less than 1 g or 1 mL to inoculate 100 mL of *Sabouraud-dextrose broth* and mix. Incubate at 30 – 35°C for 3-5 days.

4-7-2 Selection and subculture

Subculture on a plate of *Sabouraud-dextrose agar* and incubate at 30 – 35°C for 24 – 48

hours.

4-7-3 Interpretation

Growth of white colonies may indicate the presence of *C. albicans*. This is confirmed by identification tests.

The product complies with the test if such colonies are not present or if the confirmatory identification tests are negative.

The following section is given for information.

5 Recommended Solutions and Culture Media

The following solutions and culture media have been found satisfactory for the purposes for which they are prescribed in the test for microbial contamination in the Pharmacopoeia. Other media may be used provided that their suitability can be demonstrated.

Stock buffer solution. Transfer 34 g of potassium dihydrogen phosphate to a 1000 mL volumetric flask, dissolve in 500 mL of purified water, adjust to pH 7.2 ± 0.2 with sodium hydroxide, add purified water to volume and mix. Dispense in containers and sterilize. Store at a temperature of $2 - 8^\circ\text{C}$.

Phosphate buffer solution pH 7.2

Prepare a mixture of purified water and stock buffer solution (800:1 V/V) and sterilize.

Buffered sodium chloride-peptone solution pH 7.0

Potassium dihydrogen phosphate	3.6 g
Disodium hydrogen phosphate dehydrate	7.2 g equivalent to 0.067 mol phosphate
Sodium chloride	4.3 g
Peptone (meat or casein)	1.0 g
Purified water	1000 mL

Sterilize in an autoclave using a validated cycle.

Casein soya bean digest broth

Pancreatic digest of casein	17.0 g
Papaic digest of soya bean	3.0 g
Sodium chloride	5.0 g
Dipotassium hydrogen phosphate	2.5 g
Glucose monohydrate	2.5 g
Purified water	1000 mL

Adjust the pH so that after sterilization it is 7.3 ± 0.2 at 25°C . Sterilize in an autoclave using a validated cycle.

Casein soya bean digest agar

Pancreatic digest of casein	15.0 g
Papaic digest of soya bean	5.0 g
Sodium chloride	5.0 g
Agar	15.0 g
Purified water	1000 mL

Adjust the pH so that after sterilization it is 7.3 ± 0.2 at 25°C . Sterilize in an autoclave using a validated cycle.

Sabouraud-dextrose agar

Glucose	40.0 g
Mixture of peptic digest of animal tissue and pancreatic digest of casein (1:1)	10.0 g
Agar	15.0 g
Purified water	1000 mL

Adjust the pH so that after sterilization it is 5.6 ± 0.2 at 25°C . Sterilize in an autoclave using a validated cycle.

Potato dextrose agar

Infusion from potatoes	200 g
Glucose	20.0 g
Agar	15.0 g
Purified water	1000 mL

Adjust the pH so that after sterilization it is 5.6 ± 0.2 at 25°C . Sterilize in an autoclave using a validated cycle.

Sabouraud dextrose broth

Glucose	20.0 g
Mixture of peptic digest of animal tissue and pancreatic digest of casein (1:1)	10.0 g
Purified water	1000 mL

Adjust the pH so that after sterilization it is 5.6 ± 0.2 at 25°C . Sterilize in an autoclave using a validated cycle.

Enterobacteria enrichment broth-Mossel

Pancreatic digest of gelatin	10.0 g
Glucose monohydrate	5.0 g
Dehydrated ox bile	20.0 g
Potassium dihydrogen phosphate	2.0 g
Disodium hydrogen phosphate dehydrate	8.0 g
Brilliant green	15 mg
Purified water	1000 mL

Adjust the pH so that after heating it is 7.2 ± 0.2 at 25°C . Heat at 100°C for 30 min and cool immediately.

Violet red bile glucose agar

Yeast extract	3.0 g
Pancreatic digest of gelatin	7.0 g
Bile salts	1.5 g
Sodium chloride	5.0 g
Glucose monohydrate	10.0 g
Agar	15.0 g
Neutral red	30 mg
Crystal violet	2 mg
Purified water	1000 mL

Adjust the pH so that after heating it is 7.4 ± 0.2 at 25°C . Heat to boiling; do not heat in an autoclave.

MacConkey broth

Pancreatic digest of gelatin	20.0 g
Lactose monohydrate	10.0 g
Dehydrated ox bile	5.0 g
Bromocresol purple	10 mg
Purified water	1000 mL

Adjust the pH so that after sterilization it is 7.3 ± 0.2 at 25°C . Sterilize in an autoclave using a validated cycle.

MacConkey agar

Pancreatic digest of gelatin	17.0 g
Peptones (meat and casein)	3.0 g
Lactose monohydrate	10.0 g
Sodium chloride	5.0 g
Bile salts	1.5 g
Agar	13.5 g
Neutral red	30 mg

Crystal violet	1 mg
Purified water	1000 mL

Adjust the pH so that after sterilization it is 7.1 ± 0.2 at 25°C . Boil for 1 min with constant shaking then sterilize in an autoclave using a validated cycle.

Rappaport Vassiliadis Salmonella enrichment broth

Soya peptone	4.5 g
Magnesium chloride hexahydrate	29.0 g
Sodium chloride	8.0 g
Dipotassium hydrogen phosphate	0.4 g
Potassium dihydrogen phosphate	0.6 g
Malachite green	36 mg
Purified water	1000 mL

Dissolve, warming slightly. Sterilize in an autoclave using a validated cycle, at a temperature not exceeding 115°C . The pH is to be 5.2 ± 0.2 at 25°C after heating and autoclaving.

Xylose, lysine, deoxycholate agar

Xylose	3.5 g
L-Lysine	5.0 g
Lactose monohydrate	7.5 g
Sucrose	7.5 g
Sodium chloride	5.0 g
Yeast extract	3.0 g
Phenol red	80 mg
Agar	13.5 g
Sodium deoxycholate	2.5 g
Sodium thiosulfate	6.8 g
Ammonium iron (III) citrate	0.8 g
Purified water	1000 mL

Adjust the pH so that after heating it is 7.4 ± 0.2 at 25°C . Heat to boiling, cool to 50°C and pour into Petri dishes. Do not heat in an autoclave.

Cetrimide agar

Pancreatic digest of gelatin	20.0 g
Magnesium chloride	1.4 g
Dipotassium sulfate	10.0 g
Cetrimide	0.3 g
Agar	13.6 g
Purified water	1000 mL
Glycerol	10.0 mL

Heat to boiling for 1 min with shaking. Adjust the pH so that after sterilization it is 7.2 ± 0.2 at 25°C . Sterilize in an autoclave using a validated cycle.

Mannitol salt agar

Pancreatic digest of casein	5.0 g
Peptic digest of animal tissue	5.0 g
Beef extract	1.0 g
D-Mannitol	10.0 g
Sodium chloride	75.0 g
Agar	15.0 g
Phenol red	25 mg
Purified water	1000 mL

Heat to boiling for 1 min with shaking. Adjust the pH so that after sterilization it is 7.4 ± 0.2 at 25°C . Sterilize in an autoclave using a validated cycle.

Reinforced medium for Clostridia

Beef extract	10.0 g
Peptone	10.0 g
Yeast extract	3.0 g
Soluble starch	1.0 g
Glucose monohydrate	5.0 g
Cysteine hydrochloride	0.5 g
Sodium chloride	5.0 g
Sodium acetate	3.0 g
Agar	0.5 g
Purified water	1000 mL

Hydrate the agar, dissolve by heating to boiling with continuous stirring. If necessary, adjust the pH so that after sterilization it is about 6.8 ± 0.2 at 25°C . Sterilize in an autoclave using a validated cycle.

Columbia agar

Pancreatic digest of casein	10.0 g
Meat peptic digest	5.0 g
Heart pancreatic digest	3.0 g
Yeast extract	5.0 g
Corn starch	1.0 g
Sodium chloride	5.0 g
Agar, according to gelling power	10.0 g to 15.0 g
Purified water	1000 mL

Hydrate the agar, dissolve by heating to boiling with continuous stirring. If necessary, adjust the pH so that after sterilization it is 7.3 ± 0.2 at 25°C . Sterilize in an autoclave using a validated cycle. Allow to cool to $45 - 50^{\circ}\text{C}$; add, where necessary, gentamicin sulfate corresponding to 20 mg of gentamicin base and pour into Petri dishes.

Table 4:05-II-1 Growth promoting, inhibitory and indicative properties of media

Medium	Property	Test strains
Test for bile-tolerant gram-negative bacteria		
<i>Enterobacteria enrichment broth-Mossel</i>	Growth promoting	<i>E. coli</i> <i>P. aeruginosa</i>
	Inhibitory	<i>S. aureus</i>
<i>Violet red bile glucose agar</i>	Growth promoting + Indicative	<i>E. coli</i> <i>P. aeruginosa</i>
Test for <i>Escherichia coli</i>		
<i>MacConkey broth</i>	Growth promoting	<i>E. coli</i>
	Inhibitory	<i>S. aureus</i>
<i>MacConkey agar</i>	Growth promoting + Indicative	<i>E. coli</i>
Test for <i>Salmonella</i>		
<i>Rappaport Vassiliadis Salmonella enrichment broth</i>	Growth promoting	<i>Salmonella enterica</i> subsp. <i>enterica</i> serovar Typhimurium or <i>Salmonella enterica</i> subsp. <i>enterica</i> serovar Abony
	Inhibitory	<i>S. aureus</i>
<i>Xylose, lysine, deoxycholate agar</i>	Growth promoting + Indicative	<i>Salmonella enterica</i> subsp. <i>enterica</i> serovar Typhimurium or <i>Salmonella enterica</i> subsp. <i>enterica</i> serovar Abony
Test for <i>Pseudomonas aeruginosa</i>		
<i>Cetrimide agar</i>	Growth promoting	<i>P. aeruginosa</i>
	Inhibitory	<i>E. coli</i>
Test for <i>Staphylococcus aureus</i>		
<i>Mannitol salt agar</i>	Growth promoting + Indicative	<i>S. aureus</i>
	Inhibitory	<i>E. coli</i>
Test for Clostridia		
<i>Reinforced medium for Clostridia</i>	Growth promoting	<i>Cl. sporogenes</i>
<i>Columbia agar</i>	Growth promoting	<i>Cl. sporogenes</i>
Test for <i>Candida albicans</i>		
<i>Sabouraud dextrose broth</i>	Growth promoting	<i>C. albicans</i>
<i>Sabouraud dextrose agar</i>	Growth promoting + Indicative	<i>C. albicans</i>

Table 4.05-II-2 Interpretation of results

Results for each quantity of product			Probable number of bacteria per gram or mL of product
0.1 g or 0.1 mL	0.01 g or 0.01 mL	0.001 g or 0.001 mL	
+	+	+	more than 10^3
+	+	-	less than 10^3 and more than 10^2
+	-	-	less than 10^2 and more than 10
-	-	-	less than 10

4.06 Sterility Test

Change to read as follows:

This test is harmonized with the European Pharmacopoeia and the U. S. Pharmacopeia.

The test is applied to substances, preparations or articles which, according to the Pharmacopoeia, are required to be sterile. However, a satisfactory result only indicates that no contaminating micro-organism has been found in the sample examined in the conditions of the test.

1. Precautions against microbial contamination

The test for sterility is carried out under aseptic conditions. In order to achieve such conditions, the test environment has to be adapted to the way in which the sterility test is performed. The precautions taken to avoid contamination are such that they do not affect any micro-organisms which are to be revealed in the test. The working conditions in which the tests are performed are monitored regularly by appropriate sampling of the working area and by carrying out appropriate controls.

2. Culture media and incubation temperatures

2.1. Introduction

Media for the test may be prepared as described below, or equivalent commercial media may be used provided that they comply with the growth promotion test.

The following culture media have been found to be suitable for the test for sterility. Fluid thioglycollate medium is primarily intended for the culture of anaerobic bacteria; however, it will also detect aerobic bacteria. Soya-bean casein digest medium is suitable for the culture of both fungi and aerobic bacteria.

2.2. Fluid thioglycollate medium

Fluid thioglycollate medium

L-Cystine	0.5 g
Agar	0.75 g
Sodium chloride	2.5 g
Glucose monohydrate/anhydrous	5.5 / 5.0 g
Yeast extract (water-soluble)	5.0 g
Pancreatic digest of casein	15.0 g
Sodium thioglycollate or Thioglycollic acid	0.5 g 0.3 mL
Resazurin sodium solution (1 in 1000), freshly prepared	1.0 mL
Water	1 000 mL
(pH after sterilization 7.1 ± 0.2)	

Mix the L-cystine, agar, sodium chloride, glucose, water-soluble yeast extract and pancreatic digest of casein with water, and heat until solution is effected. Dissolve the sodium thioglycollate or thioglycollic acid in the solution and, if necessary, add sodium hydroxide TS so that, after sterilization, the solution will have a pH of 7.1 ± 0.2 . If filtration is necessary, heat the solution again without boiling and filter while hot through moistened filter paper. Add the resazurin sodium solution (1 in 1000), mix and place the medium in suitable vessels which provide a ratio of surface to depth of medium such that not more than the upper half of the medium has undergone a colour change indicative of oxygen uptake at the end of the incubation period. Sterilize using a validated process. If the medium is stored, store at a temperature between 2 °C and 25 °C in a sterile, tight container. If more than the upper one-third of the medium has acquired a pink colour, the medium may be restored once by heating the containers in a water-bath or in free-flowing steam until the pink colour disappears and cooling quickly, taking care to prevent the introduction of non-sterile air into the container. Do not use the medium for a longer storage period than has been validated.

Fluid thioglycollate medium is to be incubated at 30-35 °C.

For products containing a mercurial preservative that cannot be tested by the membrane-filtration method, fluid thioglycollate medium incubated at 20-25 °C may be used instead of soya-bean casein digest medium provided that it has been validated as described in growth promotion test.

Where prescribed or justified and authorized, the following alternative thioglycollate medium might be used. Prepare a mixture having the same composition as that of the fluid thioglycollate medium, but omitting the agar and the resazurin sodium solution (1 in 1000), sterilize as directed above. The pH after sterilization is 7.1 ± 0.2 . Heat in a water bath prior to use and incubate at 30-35 °C under anaerobic conditions.

2.3. Soya-bean casein digest medium

Soya-bean casein digest medium	
Pancreatic digest of casein	17.0 g
Papaic digest of soya-bean meal	3.0 g
Sodium chloride	5.0 g
Dipotassium hydrogen phosphate	2.5 g
Glucose monohydrate/anhydrous	2.5 / 2.3 g
Water	1000 mL
(pH after sterilization 7.3 ± 0.2)	

Dissolve the solids in water, warming slightly to effect solution. Cool the solution to room temperature. Add sodium hydroxide TS, if necessary, so that after sterilization the solution will have a pH of 7.3 ± 0.2 . Filter, if necessary, to clarify, distribute into suitable vessels and sterilize using a validated process. Store at a temperature between 2 °C and 25 °C in a sterile tight container, unless it is intended for immediate use. Do not use the medium for a longer storage period than has been validated.

Soya-bean casein digest medium is to be incubated at 20-25 °C.

3. Suitability of the culture medium

The media used comply with the following tests, carried out before or in parallel with the test on the product to be examined.

Sterility

Incubate portions of the media for 14 days. No growth of micro-organisms occurs.

Growth promotion test of aerobes, anaerobes and fungi

Test each batch of ready-prepared medium and each batch of medium prepared either from dehydrated medium or from ingredients. Suitable strains of micro-organisms are indicated in Table 4.06 -1.

Inoculate portions of fluid thioglycollate medium with a small number (not more than 100 CFU) of the following micro-organisms, using a separate portion of medium for each of the following species of micro-organism: *Clostridium sporogenes*, *Pseudomonas aeruginosa*, *Staphylococcus aureus*.

Inoculate portions of soya-bean casein digest medium with a small number (not more than 100 CFU) of the following micro-organisms, using a separate portion of medium for each of the following species of micro-organism: *Aspergillus niger*, *Bacillus subtilis*, *Candida albicans*.

Incubate for not more than 3 days in the case of bacteria and not more than 5 days in the case of fungi.

Seed lot culture maintenance techniques (seed-lot systems) are used so that the viable micro-organisms used for inoculation are not more than five passages removed from the original master seed-lot.

The media are suitable if a clearly visible growth of the micro-organisms occurs

Table 4.06 -1 — *Strains of the test micro-organisms suitable for use in the Growth Promotion Test and the Method suitability Test*

Aerobic bacteria

<i>Staphylococcus aureus</i>	ATCC 6538, NBRC 13276, CIP 4.83, NCTC 10788, NCIMB 9518
<i>Bacillus subtilis</i>	ATCC 6633, NBRC 3134, CIP 52.62, NCIMB 8054
<i>Pseudomonas aeruginosa</i>	ATCC 9027, NBRC 13275, NCIMB 8626, CIP 82.118

Anaerobic bacterium

<i>Clostridium sporogenes</i>	ATCC 19404, NBRC 14293, CIP 79.3, NCTC 532 , ATCC 11437
-------------------------------	---

Fungi

<i>Candida albicans</i>	ATCC 10231, NBRC 1594, IP 48.72, NCPF 3179
<i>Aspergillus niger</i>	ATCC 16404, NBRC 9455, IP 1431.83, IMI 149007

4. Method suitability test

Carry out a test as described below under Test for sterility of the product to be examined using exactly the same methods except for the following modifications.

Membrane filtration

After transferring the content of the container or containers to be tested to the membrane add an inoculum of a small number of viable micro-organisms (not more than 100 CFU) to the final portion of sterile diluent used to rinse the filter.

Direct inoculation

After transferring the contents of the container or containers to be tested to the culture medium add an inoculum of a small number of viable micro-organisms (not more than 100 CFU) to the medium.

In both cases use the same micro-organisms as those described above under Growth promotion test of aerobes, anaerobes and fungi. Perform a growth promotion test as a positive control. Incubate all the containers containing medium for not more than 5 days.

If clearly visible growth of micro-organisms is obtained after the incubation, visually comparable to that in the control vessel without product, either the product possesses no antimicrobial activity under the conditions of the test or such activity has been satisfactorily eliminated. The test for sterility may then be carried out without further modification.

If clearly visible growth is not obtained in the presence of the product to be tested, visually comparable to that in the control vessels without product, the product possesses antimicrobial activity that has not been satisfactorily eliminated under the conditions of the test. Modify the conditions in order to eliminate the antimicrobial activity and repeat the method suitability test.

This method suitability is performed:

- a) when the test for sterility has to be carried out on a new product;
- b) whenever there is a change in the experimental conditions of the test.

The method suitability may be performed simultaneously with the Test for sterility of the product to be examined.

5. Test for sterility of the product to be examined

5.1. Introduction

The test may be carried out using the technique of membrane filtration or by direct inoculation of the culture media with the product to be examined. Appropriate negative controls are included. The technique of membrane filtration is used whenever the nature of the product permits, that is, for filterable aqueous preparations, for alcoholic or oily preparations and for preparations miscible with or soluble in aqueous or oily solvents provided these solvents do not have an antimicrobial effect in the conditions of the test.

5.2. Membrane filtration

Use membrane filters having a nominal pore size not greater than 0.45 μm whose effectiveness to retain micro-organisms has been established. Cellulose nitrate filters, for example, are used for aqueous, oily and weakly alcoholic solutions and cellulose acetate filters, for example, for strongly alcoholic solutions. Specially adapted filters may be needed for certain products, e.g. for antibiotics.

The technique described below assumes that membranes about 50 mm in diameter will be used. If filters of a different diameter are used the volumes of the dilutions and the washings should be adjusted accordingly. The filtration apparatus and membrane are sterilized by appropriate means. The apparatus is designed so that the solution to be examined can be introduced and filtered under aseptic conditions; it permits the aseptic removal of the membrane for transfer to the medium or it is suitable for carrying out the incubation after adding the medium to the apparatus itself.

Aqueous solutions

If appropriate, transfer a small quantity of a suitable, sterile diluent such as a 1 g / L neutral solution of meat or casein peptone pH 7.1 ± 0.2 onto the membrane in the apparatus and filter. The diluent may contain suitable neutralizing substances and/or appropriate inactivating substances for example in the case of antibiotics.

Transfer the contents of the container or containers to be tested to the membrane or membranes, if necessary after diluting to the volume used in the method suitability test with the chosen sterile diluent but in any case using not less than the quantities of the product to be examined prescribed in Table 4.06-2. Filter immediately. If the product has antimicrobial properties, wash the membrane not less than three times by filtering through it each time the volume of the chosen sterile diluent used in the method suitability test. Do not exceed a washing cycle of 5 times 100 mL per filter, even if during method suitability it has been demonstrated that such a cycle does not fully eliminate the antimicrobial activity. Transfer the whole membrane to the culture medium or cut it aseptically into two equal parts and transfer one half to each of two suitable media. Use the same volume of each medium as in the method suitability test. Alternatively, transfer the medium onto the membrane in the apparatus. Incubate the media for not less than 14 days.

Table 4.06-2 — Minimum quantity to be used for each medium

Quantity per container	Minimum quantity to be used for each medium unless otherwise justified and authorised
<i>Liquids</i>	
– less than 1 mL:	The whole contents of each container
– 1 – 40 mL:	Half the contents of each container but not less than 1 mL
– greater than 40 mL and not greater than 100 mL	20 mL
– greater than 100 mL :	10 per cent of the contents of the container but not less than 20 mL
Antibiotic liquids	1 mL
Insoluble preparations, creams and ointments to be suspended or emulsified	Use the contents of each container to provide not less than 200 mg
<i>Solids</i>	
– less than 50 mg	The whole contents of each container
– 50 mg or more but less than 300 mg	Half the contents of each container but not less than 50 mg
– 300 mg – 5 g	150 mg
– greater than 5 g	500 mg

Soluble solids

Use for each medium not less than the quantity prescribed in Table 4.06-2 of the product dissolved in a suitable solvent such as the solvent provided with the preparation, water for injection, saline or a 1 g / L neutral solution of meat or casein peptone and proceed with the test as described above for aqueous solutions using a membrane appropriate to the chosen solvent.

Oils and oily solutions

Use for each medium not less than the quantity of the product prescribed in Table 4.06-2. Oils and oily solutions of sufficiently low viscosity may be filtered without dilution through a dry membrane. Viscous oils may be diluted as necessary with a suitable sterile diluent such as isopropyl myristate shown not to have antimicrobial activity in the conditions of the test. Allow the oil to penetrate the membrane by its own weight then filter, applying the pressure or suction gradually. Wash the membrane at least three times by filtering through it each time about 100 mL of a suitable sterile solution such as 1 g / L neutral meat or casein peptone containing a suitable emulsifying agent at a concentration shown to be appropriate in the method suitability of the test, for example polysorbate 80 at a concentration of 10 g / L. Transfer the membrane or membranes to the culture medium or media or vice versa as described above for aqueous solutions, and incubate at the same temperatures and for the same times.

Ointments and creams

Use for each medium not less than the quantities of the product prescribed in Table 4.06-2. Ointments in a fatty base and emulsions of the water-in-oil type may be diluted to 1 per cent in isopropyl myristate as described above, by heating, if necessary, to not more than 40 °C. In exceptional cases it may be necessary to heat to not more than 44 °C. Filter as rapidly as possible and proceed as described above for oils and oily solutions.

5.3. Direct inoculation of the culture medium

Transfer the quantity of the preparation to be examined prescribed in Table 4.06-2 directly into the culture medium so that the volume of the product is not more than 10 per cent of the volume of the medium, unless otherwise prescribed.

If the product to be examined has antimicrobial activity, carry out the test after neutralising this with a suitable neutralising substance or by dilution in a sufficient quantity of culture medium. When it is necessary to use a large volume of the product it may be preferable to use a concentrated culture medium prepared in such a way that it takes account of the subsequent dilution. Where appropriate the concentrated medium may be added directly to the product in its container.

Oily liquids

Use media to which have been added a suitable emulsifying agent at a concentration shown to be appropriate in the method suitability of the test, for example polysorbate 80 at a concentration of 10 g / L.

Ointments and creams

Prepare by diluting to about 1 in 10 by emulsifying with the chosen emulsifying agent in a suitable sterile diluent such as a 1 g / L neutral solution of meat or casein peptone. Transfer the diluted product to a medium not containing an emulsifying agent.

Incubate the inoculated media for not less than 14 days. Observe the cultures several times during the incubation period. Shake cultures containing oily products gently each day. However when fluid thioglycollate medium is used for the detection of anaerobic micro-organisms keep shaking or mixing to a minimum in order to maintain anaerobic conditions.

6. Observation and interpretation of results

At intervals during the incubation period and at its conclusion, examine the media for macroscopic evidence of microbial growth. If the material being tested renders the medium turbid so that the presence or absence of microbial growth cannot be readily determined by

visual examination, 14 days after the beginning of incubation transfer portions (each not less than 1 mL) of the medium to fresh vessels of the same medium and then incubate the original and transfer vessels for not less than 4 days.

If no evidence of microbial growth is found, the product to be examined complies with the test for sterility. If evidence of microbial growth is found the product to be examined does not comply with the test for sterility, unless it can be clearly demonstrated that the test was invalid for causes unrelated to the product to be examined.

The test may be considered invalid only if one or more of the following conditions are fulfilled:

- a) the data of the microbiological monitoring of the sterility testing facility show a fault;
- b) a review of the testing procedure used during the test in question reveals a fault;
- c) microbial growth is found in the negative controls;
- d) after determination of the identity of the micro-organisms isolated from the test, the growth of this species or these species may be ascribed unequivocally to faults with respect to the material and/or the technique used in conducting the sterility test procedure.

If the test is declared to be invalid it is repeated with the same number of units as in the original test.

If no evidence of microbial growth is found in the repeat test the product examined complies with the test for sterility. If microbial growth is found in the repeat test the product examined does not comply with the test for sterility.

7. Application of the test to parenteral preparations, ophthalmic and other non-injectable preparations required to comply with the test for sterility

When using the technique of membrane filtration, use, whenever possible, the whole contents of the container, but not less than the quantities indicated in Table 4.06-2, diluting where necessary to about 100 mL with a suitable sterile solution, such as 1 g / L neutral meat or casein peptone.

When using the technique of direct inoculation of media, use the quantities shown in Table 4.06-2, unless otherwise justified and authorised. The tests for bacterial and fungal sterility are carried out on the same sample of the product to be examined. When the volume or the quantity in a single container is insufficient to carry out the tests, the contents of two or more containers are used to inoculate the different media.

8. Minimum number of items to be tested

The minimum number of items to be tested in relation to the size of the batch is given in Table 4.06-3.

Table 4.06-3. Minimum number of items to be tested

Number of items in the batch*	Minimum number of items to be tested for each medium, unless otherwise justified and authorised**
Parenteral preparations –Not more than 100 containers –More than 100 but not more than 500 containers –More than 500 containers	10 per cent or 4 containers whichever is the greater 10 containers 2 per cent or 20 containers (10 containers for large-volume parenterals) whichever is the less
Ophthalmic and other non-injectable preparations –Not more than 200 containers –More than 200 containers –If the product is presented in the form of single-dose containers, apply the scheme shown above for preparations for parenteral use	5 per cent or 2 containers whichever is the greater 10 containers
Bulk solid products –Up to 4 containers –More than 4 containers but not more than 50 containers –More than 50 containers	Each container 20 per cent or 4 containers whichever is the greater 2 per cent or 10 containers whichever is the greater

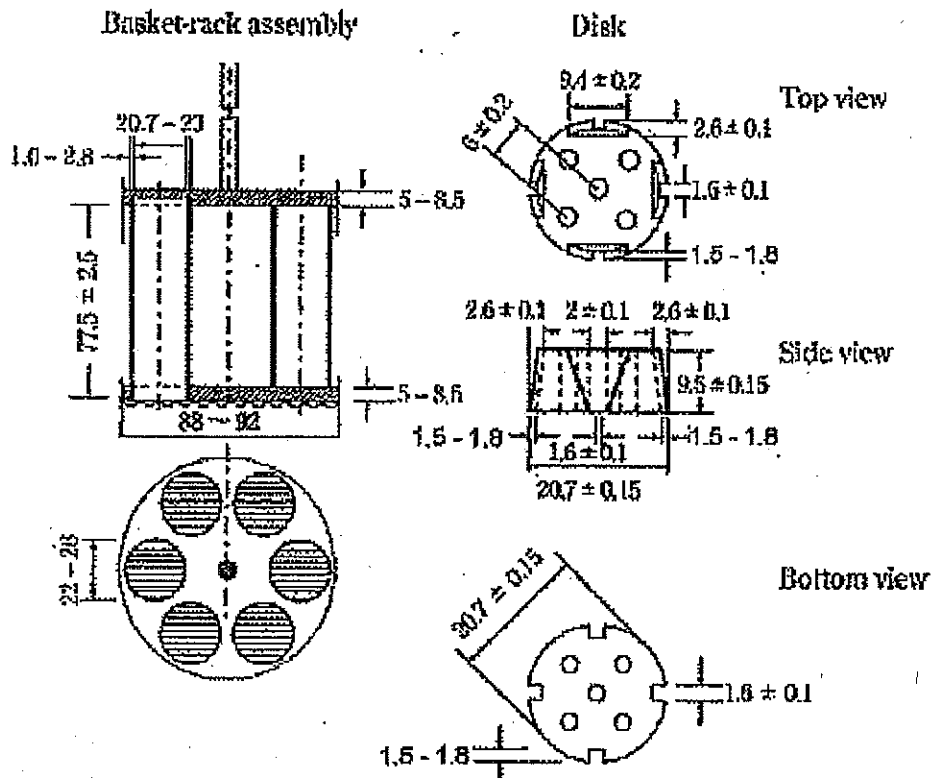
* If the batch size is not known, use the maximum number of items prescribed

**If the contents of one container are enough to inoculate the two media, this column gives the number of containers needed for both the media together.

6.09 Disintegration Test

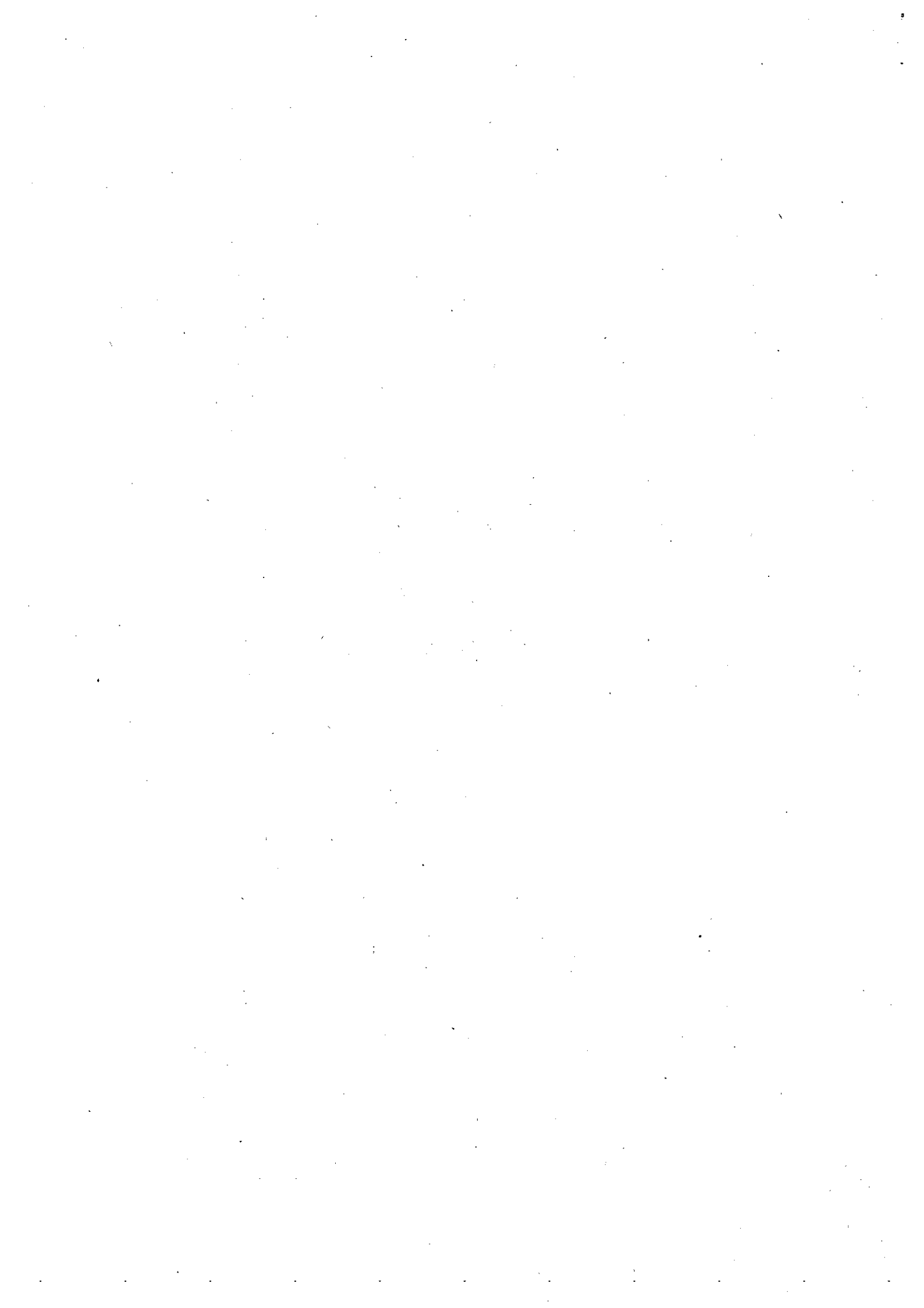
Change to read following part under Apparatus:

Disks—The use of disks is permitted only where specified or allowed. Each tube is provided with a cylindrical disk 9.5 ± 0.15 mm thick and 20.7 ± 0.15 mm in diameter. The disk is made of a suitable, transparent plastic material having a specific gravity of between 1.18 and 1.20. Five parallel 2 ± 0.1 mm holes extend between the ends of the cylinder. One of the holes is centered on the cylindrical axis. The other holes are centered 6 ± 0.2 mm from the axis on imaginary lines perpendicular to the axis and parallel to each other. Four identical trapezoidal-shaped planes are cut the wall of the cylinder, nearly perpendicular to the ends of the cylinder. The trapezoidal shape is symmetrical; its parallel sides coincide with the ends of the cylinder and are parallel to an imaginary line connecting the centers of two adjacent holes 6 mm from the cylindrical axis. The parallel side of the trapezoid on the bottom of the cylinder has a length of 1.6 ± 0.1 mm, and its bottom edges lie at a depth of 1.5 - 1.8 mm from the cylinder's circumference. The parallel side of the trapezoid on the top of the cylinder has a length of 9.4 ± 0.2 mm, and its center lies at a depth of 2.6 ± 0.1 mm from the cylinder's circumference. All surfaces of the disk are smooth. If the use of disks is specified, and a desk to each tube, and operate the apparatus as directed under Procedure. The disks conform to dimensions found in Fig.6.09-1. The use of automatic detection employing modified disks is permitted where the use of disks is specified or allowed. Such disks must comply with the requirements for density and dimension given in this chapter.



All dimensions are expressed in mm.

Fig. 6.09-1 Disintegration apparatus



6.10 Dissolution Test

Change to read following part under Procedure for Basket or Paddle Methods:

IMMEDIATE-RELEASE DOSAGE FORMS

Procedure—Place the stated volume of the dissolution medium ($\pm 1\%$) in the vessel of the specified apparatus, assemble the apparatus, equilibrate the dissolution medium to $37 \pm 0.5^\circ\text{C}$, and remove the thermometer. Place 1 dosage unit in the apparatus, taking care to exclude air bubbles from the surface of the dosage unit, and immediately operate the apparatus at the specified rate. Within the time interval specified, or at each of the times stated, withdraw a specimen from a zone midway between the surface of the Dissolution Medium and the top of the rotating basket or blade, not less than 10 mm from the vessel wall. [NOTE—Where multiple sampling times are specified, replace the aliquots withdrawn for analysis with equal volumes of fresh Dissolution Medium at 37°C or, where it can be shown that replacement of the medium is not necessary, correct for the volume change in the calculation. Keep the vessel covered for the duration of the test, and verify the temperature of the mixture under test at suitable times.] Perform the analysis using an indicated assay method.*³ Repeat the test with additional dosage units.

If automated equipment is used for sampling or the apparatus is otherwise modified, verification that the modified apparatus will produce results equivalent to those obtained with the standard apparatus described in this chapter, is necessary.

Dissolution Medium—A specified dissolution medium is used. The volume specified refers to measurements made between 20°C and 25°C . If the dissolution medium is a buffered solution, adjust the solution so that its pH is within 0.05 unit of the specified pH. [NOTE—Dissolved gases can cause bubbles to form, which may change the results of the test. If dissolved gases influence the dissolution results, remove dissolved gases prior testing.*⁴]

Time—Where a single time specification is given, the test may be concluded in a shorter period if the requirement for minimum amount dissolved is met. Specimens are to be withdrawn only at the stated times, within a tolerance of $\pm 2\%$.

4.05 微生物限度試験法

微生物限度試験法を次のように改める。

微生物限度試験法には生菌数試験及び特定微生物試験が含まれる。原料又は製品の任意の異なる数箇所（又は部分）から採取したものを混和し、試料として試験を行う。試料を液体培地で希釈する場合は、速やかに試験を行う。また、本試験を行うに当たっては、バイオハザード防止に十分に留意する。

I. 非無菌製品の微生物学的試験：生菌数試験

本試験法は、三薬局方での調和合意に基づき規定した試験法である。

1 序文

本試験は、好氣的条件下で発育可能な中温性の細菌及び真菌を定量的に測定する方法である。

本試験は、原料や製剤が既定の微生物学的品質規格に適合するかどうかを判定することを主目的としたものである。採取試料数も含めて指示通りに試験を実施し、結果を判定する。

有効成分として生菌を含む製品には、本試験を適用しない。

局方試験法との同等性が示されている場合は、自動化法を含む別の微生物学的方法を用いてもよい。

2 基本手順

生菌数測定は、被験製品への外部からの微生物汚染を回避するように設計された条件下で行う。汚染を回避するための予防措置は、試験で検出しようとしているいかなる微生物に対しても影響を与えてはならない。

被験製品が抗菌活性を有する場合は、この抗菌活性を可能な限り除去又は中和する。この目的のために不活化剤を用いる場合は、その有効性と微生物に対する毒性がないことを確認する。

試料の調製に界面活性剤を使用する場合は、微生物に対する毒性がないこと、及び用いる不活化剤との間に相互作用がないことを確認する。

3 生菌数測定法

通常はメンブランフィルター法又はカンテン平板法を用いる。最確数（MPN）法は概して精度に欠ける菌数測定法ではあるが、バイオバーデン（汚染菌数）が非常に少ない製品群に対しては最適な方法となることもある。

製品の特性や要求される微生物限度値などに基づいて測定法を選択するが、選択した測定法は、規格に適合していることを判断するのに十分な試料量を試験できるものでなければならない。また、選択した方法の適合性を確認する。

4. 培地性能、測定法の適合性及び陰性対照

4.1. 一般要件

被験製品存在下における微生物検出能力を確認する。

また、試験結果に影響を及ぼすような試験法の変更や製品の処方変更があった場合には、再度、適合性を確認する。

4.2. 試験菌の調製

試験菌は標準化された安定な懸濁液を使用するか、又は次に示す手順で調製する。

なお、試験に用いる微生物は、最初のマスターシードロットからの継代数5回を超えないように、シードロット培養管理手法（シードロットシステム）を用いて管理する。細菌及び真菌の各試験菌について、表 4.05-I-1 に示す条件でそれぞれ個別に培養する。

試験菌懸濁液の調製には、pH7.0 のペプトン食塩緩衝液又は pH7.2 のリン酸緩衝液を用いる。*Aspergillus niger* の胞子を懸濁させるために、緩衝液にポリソルベート 80 を 0.05% 加えても良い。懸濁液は 2 時間以内、又は 2 ~ 8°C に保存する場合は 24 時間以内に用いる。*Aspergillus niger* 又は *Bacillus subtilis* の栄養型細胞の新鮮懸濁液を調製して希釈する代わりに、胞子懸濁液又は芽胞懸濁液を調製し、接種菌液として使用できる。それぞれの懸濁液は、保証された期間内は 2 ~ 8°C で保存できる。

表 4.05- I -1 試験菌の調製と使用法

微生物	試験菌の調製	培地性能		製品存在下での 生菌数測定法の適合性	
		総好気性微生物数	総真菌数	総好気性微生物数	総真菌数
<i>Staphylococcus aureus</i> 例えば, ATCC 6538, NCIMB 9518, CIP 4.83 又は NBRC13276	ソイビーン・カゼイン・ダイジェストカンテン培地又はソイビーン・カゼイン・ダイジェスト培地 30 ~ 35°C 18 ~ 24 時間	ソイビーン・カゼイン・ダイジェストカンテン培地及びソイビーン・カゼイン・ダイジェスト培地 ≤100 CFU 30 ~ 35°C ≤3 日間		ソイビーン・カゼイン・ダイジェストカンテン培地/MPN ソイビーン・カゼイン・ダイジェスト培地 ≤100 CFU 30 ~ 35°C ≤3 日間	
<i>Pseudomonas aeruginosa</i> 例えば, ATCC 9027, NCIMB 8626, CIP 82.118 又は NBRC 13275	ソイビーン・カゼイン・ダイジェストカンテン培地又はソイビーン・カゼイン・ダイジェスト培地 30 ~ 35°C 18 ~ 24 時間	ソイビーン・カゼイン・ダイジェストカンテン培地及びソイビーン・カゼイン・ダイジェスト培地 ≤100 CFU 30 ~ 35°C ≤3 日間		ソイビーン・カゼイン・ダイジェストカンテン培地/MPN ソイビーン・カゼイン・ダイジェスト培地 ≤100 CFU 30 ~ 35°C ≤3 日間	
<i>Bacillus subtilis</i> 例えば, ATCC 6633, NCIMB 8054, CIP 52.62 又は NBRC 3134	ソイビーン・カゼイン・ダイジェストカンテン培地又はソイビーン・カゼイン・ダイジェスト培地 30 ~ 35°C 18 ~ 24 時間	ソイビーン・カゼイン・ダイジェストカンテン培地及びソイビーン・カゼイン・ダイジェスト培地 ≤100 CFU 30 ~ 35°C ≤3 日間		ソイビーン・カゼイン・ダイジェストカンテン培地/MPN ソイビーン・カゼイン・ダイジェスト培地 ≤100 CFU 30 ~ 35°C ≤3 日間	
<i>Candida albicans</i> 例えば, ATCC 10231, NCPF 3179, IP 48.72 又は NBRC 1594	サブロー・ブドウ糖カンテン培地又はサブロー・ブドウ糖液体培地 20 ~ 25°C 2 ~ 3 日間	ソイビーン・カゼイン・ダイジェストカンテン培地 ≤100 CFU 30 ~ 35°C ≤5 日間	サブロー・ブドウ糖カンテン培地 ≤100 CFU 20 ~ 25°C ≤5 日間	ソイビーン・カゼイン・ダイジェストカンテン培地 ≤100 CFU 30 ~ 35°C ≤5 日間 MPN:適用せず	サブロー・ブドウ糖カンテン培地 ≤100 CFU 20 ~ 25°C ≤5 日間
<i>Aspergillus niger</i> 例えば, ATCC 16404, IMI 149007, IP 1431.83 又は NBRC 9455	サブロー・ブドウ糖カンテン培地又はポテト・デキストロースカンテン培地 20 ~ 25°C 5 ~ 7 日間, 又は良好な孢子形成が認められるまで	ソイビーン・カゼイン・ダイジェストカンテン培地 ≤100 CFU 30 ~ 35°C ≤5 日間	サブロー・ブドウ糖カンテン培地 ≤100 CFU 20 ~ 25°C ≤5 日間	ソイビーン・カゼイン・ダイジェストカンテン培地 ≤100 CFU 30 ~ 35°C ≤5 日間 MPN:適用せず	サブロー・ブドウ糖カンテン培地 ≤100 CFU 20 ~ 25°C ≤5 日間

4.3. 陰性対照

試験状態を確認するために、試料液の代わりに使用した希釈液を用いて陰性対照試験を実施する。微生物の発育があってはならない。微生物の発育が認められた場合には、原因調査が必要である。また、陰性対照試験は5に記載の製品の試験においても実施する。

4.4. 培地性能

市販培地についてはバッチごとに試験する。また、乾燥粉末培地又は各成分より調製した培地については、調製バッチごとに試験する。

表 4.05-I-1 に示す微生物の少数 (100 CFU 以下) をソイビーン・カゼイン・ダイジェスト培地の一部、ソイビーン・カゼイン・ダイジェストカンテン培地及びサブロー・ブドウ糖カンテン培地の平板に接種する。菌株ごとに別個の液体培地の一部又は平板を用い、表 4.05-I-1 に示した条件でそれぞれ培養する。

カンテン培地では、接種菌の出現集落数は標準化された菌液の計測値の 1/2 から 2 倍以内でなければならない。新鮮培養菌を用いて試験する場合は、有効性が確認された培地バッチで以前に得られた発育と同等の発育を示さなければならない。

液体培地では、有効性が確認された培地バッチで以前に得られた発育と同等の発育が認められなければならない。

4.5. 製品存在下での測定法の適合性

4.5.1. 試料の調製

試料の調製法は、被験製品の物理学的特性に依存する。以下に記載したいずれの方法も満足できるものでない場合は、別な方法を確立する。

水溶性製品

被験製品を pH7.0 のペプトン食塩緩衝液、pH7.2 のリン酸緩衝液又はソイビーン・カゼイン・ダイジェスト培地で溶解又は希釈する (通常は 10 倍希釈液を調製する)。必要ならば、pH6 ~ 8 に調整する。さらなる希釈が必要な場合は同じ希釈液で調製する。

水に不溶の非脂質製品

被験製品を pH7.0 のペプトン食塩緩衝液、pH7.2 のリン酸緩衝液又はソイビーン・カゼイン・ダイジェスト培地に懸濁させる (通常は 10 倍希釈液を調製する)。分散しやすくするために、例えばポリソルベート 80 (濃度: 1 g/L) のような界面活性剤を加えることができる。必要ならば、pH6 ~ 8 に調整する。さらなる希釈が必要な場合は同じ希釈液で調製する。

脂質製品

被験製品をろ過滅菌したミリスチン酸イソプロピルに溶解するか、又は、必要ならば 40°C 以下 (例外的な場合でも 45°C 以下) に加温した最少必要量のポリソルベート 80 又は他の非阻害性の界面活性剤を用いて混合する。必要ならば水中で温度を保ちながら注意深く混和する。選定した希釈液をあらかじめ加温して加え、被験製品の 10 倍希釈液を調製する。乳化に必要な最短の時間で温度を保ちながら注意深く混和する。適切な濃度のポリソルベート 80、又は他の非阻害性の界面活性剤を含む同じ希釈液を用いて、更に 10 倍段階希釈系列を調製してもよい。

エアゾール状の液体又は固体

製品を無菌的にメンブランフィルター装置内又はさらなる試料採取のために滅菌容器内に移す。各被験容器から、全量あるいは定量噴霧の一定量のいずれかを用いる。

経皮吸収パッチ

経皮吸収パッチの保護被覆 (“剥離ライナー”) を取り除き、粘着面を上向きにして滅菌ガラス又は滅菌プラスチックトレイの上に置く。パッチ同士が付着するのを防ぐために、滅菌した多孔性物質 (例えば滅菌ガーゼ) で粘着面を覆う。ポリソルベート 80 及び/又はレシチンなどの不活化剤を含む適量の選定した希釈液にパッチを移し、少なくとも 30 分間激しく振とうする。

4.5.2. 接種及び希釈

100 CFU 以下の接種菌を得るのに十分な量の試験菌懸濁液を 4.5.1. で調製した試料液及び対照 (試料を含まない) に加える。接種する試験菌懸濁液の量は、試料液量の 1% を超えてはならない。

製品からの許容可能な微生物回収結果を得るために、最も低い希釈率の試料液を用いて試験する。抗菌活性又は低溶解度のために、最も低い希釈率の試験法を使えない場合は、更に適切な試験手順を確立する。

試料による発育阻止が避けられない場合には、中和、希釈又はろ過の後に試験菌懸濁液を加えてもよい。

4.5.3. 抗菌活性の中和／除去

4.5.2.及び 4.5.4.に示した手順に従って試験を行い、試料液から回収された菌数と、対照から回収された菌数とを比較する。

発育が阻害される場合（試料液からの回収菌数が、対照からの回収菌数の 1/2 未満の場合）は、正しい結果を得るために、生菌数測定の方法を変更する。方法の変更には、例えば（1）希釈液又は培地の増量、（2）特異的又は一般的な中和剤の希釈液への添加、（3）膜ろ過、又は（4）上記の手段の組み合わせが含まれる。中和剤：抗菌剤の活性を中和するため、中和剤を用いることができる（表 4.05-I-2）。中和剤は、選定した希釈液又は培地に、可能な限り滅菌前に添加する。中和剤を用いた場合は、その有効性と微生物に対する毒性がないことを、製品を含まずに中和剤のみを加えたブランク試験で確認する。

適切な中和法が確立できない場合には、その製品のもつ殺菌活性のために、接種菌が分離できないと見なす。したがって、その製品が接種菌と同種の菌やその近縁種によって汚染されている可能性は低いと考える。しかし、その製品がこれらの微生物の一部を阻害するだけで、試験菌株以外の菌株は阻害しない可能性もあるので、微生物の発育とその許容基準に見合った最も低い濃度で試験を行う。

表 4.05-I-2 阻害物質に対する一般的な中和剤／中和法

阻害物質	中和剤／中和法
グルタルアルデヒド、水銀剤	亜硫酸水素ナトリウム（重亜硫酸ナトリウム）
フェノール類、アルコール、アルデヒド類、ソルビン酸塩	希釈
アルデヒド類	グリシン
四級アンモニウム化合物、パラオキシ安息香酸エステル類、ビス-ピグアニド類	レシチン
四級アンモニウム化合物、パラオキシ安息香酸エステル類、ヨウ素	ポリソルベート
水銀剤	チオグリコール酸塩
水銀剤、ハロゲン類、アルデヒド類	チオ硫酸塩
エデト酸塩（EDTA）	マグネシウム又はカルシウムイオン

4.5.4. 製品存在下での微生物回収

表 4.05-I-1 に記載されている微生物ごとに個別に試験する。添加した微生物のみを対象に測定する。

4.5.4.1. メンブランフィルター法

メンブランフィルターは、孔径 0.45 μm 以下のものを使用する。フィルターの材質は、被験試料の成分によって細菌捕集能力が影響されないように注意して選択する。表 4.05-I-1 の微生物ごとに 1 枚のメンブランフィルターを用いる。

4.5.1. ～ 4.5.3. の記載どおりに調製した試料の適量（可能であれば製品の 1 g 相当量、又は多数の集落の形成が予測される場合はそれ以下）をメンブランフィルターに移して直ちにろ過し、適量の希釈液でメンブランフィルターを洗浄する。

メンブランフィルターを、総好気性微生物数（total aerobic microbial count；TAMC）測定用としてソイビーン・カゼイン・ダイジェストカンテン培地の表面に、総真菌数（total combined yeasts/moulds count；TYMC）測定用としてサブロー・ブドウ糖カンテン培地の表面に移す。表 4.05-I-1 に示した条件で平板を培養後、集落数を測定する。

4.5.4.2. カンテン平板法

カンテン平板法は、各培地に対して少なくとも 2 枚の平板を用いて実施し、結果はそれぞれの平板の測定菌数の平均値を用いる。

4.5.4.2.1. カンテン平板混釈法

直径 9 cm のペトリ皿を使用する場合、4.5.1. ～ 4.5.3. の記載どおりに調製した試料を 1 mL 分注する。これにあらかじめ 45°C 以下に保温した 15 ～ 20 mL のソイビーン・カゼイン・ダイジェストカンテン培地又はサブロー・ブド

ウ糖カンテン培地で混和する。より大きなペトリ皿を用いる場合は、それに応じてカンテン培地量を増加する。表 4.05-I-1 に挙げた微生物ごとに少なくとも 2 枚のペトリ皿を用いる。

表 4.05-I-1 に示した条件で平板培地を培養する。培地ごとに菌数の算術平均をとり、集落数を算出する。

4.5.4.2.2. カンテン平板表面塗抹法

直径 9 cm のペトリ皿を使用する場合は、15 ~ 20 mL のソイビーン・カゼイン・ダイジェストカンテン培地又はサブロー・ブドウ糖カンテン培地を約 45°C で加えて固化させ、例えば、層流式キャビネット又は恒温器の中で平板培地の表面を乾燥させる。より大きなペトリ皿を用いる場合は、それに応じてカンテン培地量を増加する。表 4.05-I-1 に挙げた微生物ごとに少なくとも 2 枚のペトリ皿を用いる。4.5.1. ~ 4.5.3. の記載どおりに試料を調製し、その 0.1 mL 以上を正確に測定して培地表面全体に広げる。4.5.4.2.1. の規定どおりに培養し、測定する。

4.5.4.3. 最確数(MPN)法

MPN 法の精度及び正確さは、メンブランフィルター法又はカンテン平板法よりも劣っている。特にかびの測定に対しては信頼性が低い。これらの理由のために、MPN 法は他に利用できる方法がない状況下での TAMC の測定に用いられる。本法を適用する場合は、以下のように行う。

4.5.1. ~ 4.5.3. の記載どおりに、製品の少なくとも 3 連続の 10 倍段階希釈系列を調製する。各希釈段階からそれぞれ 1 g 又は 1 mL ずつをとり、ソイビーン・カゼイン・ダイジェスト培地が 9 ~ 10 mL 入っている 3 本の試験管にそれぞれ接種する。必要ならば、ポリソルベート 80 のような界面活性剤、又は抗菌剤の不活化剤を培地に添加することができる。したがって、3 段階の希釈系列を調製した場合には、9 本の試験管に接種することになる。

全ての試験管を 30 ~ 35°C で 3 日間を超えない期間培養する。被験製品の性質によって結果の判定が困難あるいは不確かな場合は、同じ培地又はソイビーン・カゼイン・ダイジェストカンテン培地に移植後、同じ温度で 1 ~ 2 日間培養し、これらの結果を用いる。表 4.05-I-3 から被験製品 1 g 又は 1 mL 当たりの微生物の最確数を求める。

4.6. 結果及び判定

メンブランフィルター法又はカンテン平板法の適合性を確認するとき、いずれの試験菌の平均計測値も、4.5.2. で定義した製品が存在しない対照の計測値の 1/2 ~ 2 倍以内でなければならない。MPN 法の適合性を確認するとき、試験菌の計測値は、対照から得られる結果の 95% 信頼限界の範囲内でなければならない。

記述したいずれの方法においても、試験菌のうち 1 菌種でも上記の基準に満たない場合には、基準に最も近くなる方法と試験条件で製品を試験する。

5. 製品の試験

5.1. 試験量

別に規定するもののほか、上記の注意を払って採取した被験製品の 10 g 又は 10 mL を用いる。エアゾール形式の液体又は固体は、10 容器を抜き取る。経皮吸収パッチは、10 パッチを抜き取る。

次のような条件で処方される原薬は、試験量を減らすことができる：投与単位（例えば錠剤、カプセル剤、注射剤）当たりの原薬量が 1 mg 以下、又は 1 g あるいは 1 mL（投与単位では表示されていない製剤）当たりの原薬量が 1 mg 未満。これらの場合、被験試料の採取量は、製品の 10 投与単位又は 10 g あるいは 10 mL に存在する量よりも少ないようにする。

原薬として使用される物質では、試料の量に限りがあるか又はロットサイズが極度に小さい（すなわち、1000 mL 又は 1000 g 未満）場合には、より小さな量が規定されているか又は正当な理由がない限り、試験量をロットの 1% とする。

ロットを構成しているものの総数が 200 未満（例えば臨床試験で使われる試料）のような製品では、試験量は 2 単位に、又は数量が 100 未満の場合は 1 単位に減らすことができる。

バルク原料又は製剤の収納容器から、無作為に試料を選び出す。必要量の試料を得るために、十分な数の容器の内容物を混合する。

5.2. 製品の試験

5.2.1. メンブランフィルター法

フィルターを培地に移すことができるように設計されているろ過装置を用いる。4. に記載されたとおりに適合性が示された方法で試料を調製し、適量を 2 枚のメンブランフィルターの各々に移して直ちにろ過する。適合性が確認された方法に従って、各フィルターを洗浄する。

1 枚のメンブランフィルターは、TAMC の測定のためにソイビーン・カゼイン・ダイジェストカンテン培地の表面に、他の 1 枚のメンブランフィルターは、TYMC の測定のためにサブロー・ブドウ糖カンテン培地の表面に移す。ソイビーン・カゼイン・ダイジェストカンテン培地を 30 ~ 35°C で 3 ~ 5 日間、サブロー・ブドウ糖カンテン培地を 20 ~ 25°C で 5 ~ 7 日間培養する。製品 1 g 又は 1 mL 当たりの集落数を算出する。

経皮吸収パッチを試験するときは、4.5.1に記載されている調製液の10%量ずつを2枚の滅菌メンブランフィルターで別々にろ過する。1枚のメンブランフィルターはTAMCの計測のためにソイビーン・カゼイン・ダイジェストカンテン培地に移し、他のメンブランフィルターはTYMCの計測のためにサブロー・ブドウ糖カンテン培地に移す。

5.2.2. カンテン平板法

5.2.2.1. カンテン平板混釈法

4.に記載されたとおりに適合性が示された方法で試料を調製する。それぞれの培地に対し、希釈段階ごとに少なくとも2枚のペトリ皿を用意する。ソイビーン・カゼイン・ダイジェストカンテン培地は30～35℃で3～5日間培養し、サブロー・ブドウ糖カンテン培地は20～25℃で5～7日間培養する。集落数がTAMCでは250未満、TYMCでは50未満で、かつ最も多い集落数を示す希釈度のカンテン培地を選び出す。培地ごとに菌数の算術平均をとり、製品1g又は1mL当たりの集落数を算出する。

5.2.2.2. カンテン平板表面塗抹法

4.に記載されたとおりに適合性が示された方法で試料を調製する。それぞれの培地に対し、希釈段階ごとに少なくとも2枚のペトリ皿を用意する。培養及び集落数の算出は、カンテン平板混釈法に記載されているとおりに行う。

5.2.3. 最確数法

4.に記載されたとおりに適合性が示された方法で試料を調製し、希釈する。全ての試験管を30～35℃で3～5日間培養する。必要ならば、適合性が示された方法で移植培養する。希釈段階ごとに、微生物の増殖が認められる試験管数を記録する。表4.05-I-3から被験製品1g又は1mL当たりの微生物の最確数を求める。

5.3. 結果の判定

ソイビーン・カゼイン・ダイジェストカンテン培地を使用して測定される集落数を、総好気性微生物数（TAMC）とする。この培地上に真菌の集落が検出されても、TAMCとして測定する。サブロー・ブドウ糖カンテン培地を使用して測定される集落数を、総真菌数（TYMC）とする。この培地上に細菌の集落が検出されても、TYMCとして測定する。細菌の発育のためにTYMCが許容基準を超えることが予測される場合には、抗生物質を含むサブロー・ブドウ糖カンテン培地を使用しても良い。MPN法で計測を行う場合は、算出値はTAMCとする。

微生物学的品質の許容基準が規定されているときは、以下のように判定する。

- 10^1 CFU:最大許容数=20,
- 10^2 CFU:最大許容数=200,
- 10^3 CFU:最大許容数=2000, 以下同様。

推奨される溶液及び培地は、「特定微生物試験」に記載されている。

表 4.05- I-3 微生物の最確数

各セットにおける微生物増殖を示す試験管数の組み合わせ 試験管当たりの製品の g 又は mL 数			製品 1 g 又は 1 mL 当たりの最確数	95%信頼限界
0.1	0.01	0.001		
0	0	0	<3	0-9.4
0	0	1	3	0.1-9.5
0	1	0	3	0.1-10
0	1	1	6.1	1.2-17
0	2	0	6.2	1.2-17
0	3	0	9.4	3.5-35
1	0	0	3.6	0.2-17
1	0	1	7.2	1.2-17
1	0	2	11	4-35
1	1	0	7.4	1.3-20
1	1	1	11	4-35
1	2	0	11	4-35
1	2	1	15	5-38
1	3	0	16	5-38
2	0	0	9.2	1.5-35
2	0	1	14	4-35
2	0	2	20	5-38
2	1	0	15	4-38
2	1	1	20	5-38
2	1	2	27	9-94
2	2	0	21	5-40
2	2	1	28	9-94
2	2	2	35	9-94
2	3	0	29	9-94
2	3	1	36	9-94
3	0	0	23	5-94
3	0	1	38	9-104
3	0	2	64	16-181
3	1	0	43	9-181
3	1	1	75	17-199
3	1	2	120	30-360
3	1	3	160	30-380
3	2	0	93	18-360
3	2	1	150	30-380
3	2	2	210	30-400
3	2	3	290	90-990
3	3	0	240	40-990
3	3	1	460	90-1980
3	3	2	1100	200-4000
3	3	3	>1100	

II. 非無菌製品の微生物学的試験: 特定微生物試験

本試験法は、三薬局方での調和合意に基づき規定した試験法である。

1. 序文

本試験は、規定の条件下で検出可能な特定微生物が存在しないか、又はその存在が限られているかを判定する方法である。

本試験は、原料や製剤が既定の微生物学的品質規格に適合するか否かを判定することを主目的にしたものである。採取試料数も含めて指示通りに試験を実施し、結果を判定する。

局方試験法との同等性が示されている場合は、自動化法を含む別の微生物学的方法を用いてもよい。

2. 基本手順

試料の調製は、「生菌数試験」に記載されているとおりに行う。

被験製品が抗菌活性を有する場合は、「生菌数試験」に記載されているように可能な限りこの抗菌活性を除去又は中和する。

試料の調製に界面活性剤を使用する場合は、「生菌数試験」に記載されているように、微生物に対する毒性がないこと、及び用いる不活化剤との間に相互作用がないことを確認する。

3. 培地性能、試験の適合性及び陰性対照

被験製品存在下においても微生物を検出する能力があることを確認する。また、試験結果に影響を及ぼすような試験法の変更や製品の処方変更があった場合には、再度、適合性を確認する。

3.1. 試験菌の調製

試験菌は標準化された安定な懸濁液を使用するか、又は次に示す手順で調製する。

なお、試験に用いる微生物は、最初のマスターシードロットからの継代数5回を超えないように、シードロット培養管理手法（シードロットシステム）を用いて管理する。

3.1.1. 好気性微生物

各細菌試験用菌株を、ソイビーン・カゼイン・ダイジェスト培地中、又はソイビーン・カゼイン・ダイジェストカンテン培地上で、それぞれ30～35℃で18～24時間培養する。カンジダ・アルピカンス用の試験菌株は、サブロー・ブドウ糖カンテン培地上、又はサブロー・ブドウ糖液体培地中で、それぞれ20～25℃で2～3日間培養する。

Staphylococcus aureus (黄色ブドウ球菌) : 例えば、ATCC 6538, NCIMB 9518, CIP 4.83 又は NBRC 13276,

Pseudomonas aeruginosa (緑膿菌) : 例えば、ATCC 9027, NCIMB 8626, CIP 82.118 又は NBRC 13275,

Escherichia coli (大腸菌) : 例えば、ATCC 8739, NCIMB 8545, CIP 53.126 又は NBRC 3972,

Salmonella enterica subsp. *enterica* serovar Typhimurium (サルモネラ) : 例えば、ATCC 14028

又は代替として

Salmonella enterica subsp. *enterica* serovar Abony (サルモネラ) : 例えば、NBRC 100797, NCTC 6017 又は CIP 80.39,

Candida albicans (カンジダ・アルピカンス) : 例えば、ATCC 10231, NCPF 3179, IP 48.72 又は NBRC 1594

試験菌懸濁液の調製には、pH7.0のペプトン・食塩緩衝液又はpH7.2のリン酸緩衝液を用いる。懸濁液は2時間以内、又は2～8℃に保存する場合は24時間以内に用いる。

3.1.2. クロストリジア

Clostridium sporogenes : 例えば ATCC 11437 (NBRC 14293, NCIMB 12343, CIP 100651) 又は ATCC 19404 (NCTC 532 又は CIP 79.3) を用いる。クロストリジアの試験菌株を強化クロストリジア培地中に接種し、30～35℃で24～48時間嫌気的条件下で培養する。*Cl. sporogenes* の栄養型細胞の新鮮懸濁液を調製して希釈する代わりに、芽胞懸濁液を接種菌液として使用できる。芽胞懸濁液は、保証された期間内は2～8℃で保存できる。

3.2. 陰性対照

試験状態を確認するために、試料液の代わりに使用した希釈液を用いて陰性対照試験を実施する。微生物の発育があつてはならない。微生物の発育が認められた場合には、原因調査が必要である。また、陰性対照試験は4.に記載の製品の試験においても実施する。

3.3. 培地の性能試験

市販生培地についてはバッチごとに試験する。また、乾燥培地又は成分から調製した培地については、調製バッチごとに試験する。

表 4.05-II-1 に記載したように、関連培地について適切な特性を確認する。

発育促進特性試験，液体培地：適切な培地の一部に適切な少数の微生物（100 CFU 以下）を接種する。規定された温度で培養し，培養時間は，試験法で規定されている培養期間の最短時間以内とする。有効性が確認された培地パッチで，以前に得られた発育と同等の発育が認められる。

発育促進特性試験，固体培地：各平板培地に適切な少数の微生物（100 CFU 以下）を接種し，カンテン平板表面塗抹法で行う。規定された温度で培養し，培養時間は，試験法で規定されている培養期間の最短時間以内とする。有効性が確認された培地パッチで，以前に得られた発育と同等の発育が認められる。

選択特性試験，液体又は固体培地：適切な培地に適切な微生物を少なくとも 100 CFU 接種する。規定された温度で培養し，培養時間は試験法で規定されている培養期間の最長時間以上とする。試験菌の発育を認めない。

鑑別特性試験：各平板培地に適切な少数の微生物（100 CFU 以下）を接種し，カンテン平板表面塗抹法で行う。規定された温度で培養し，培養時間は試験法で規定されている培養期間の範囲内とする。集落の形状と鑑別反応は，有効性が確認された培地パッチで以前に得られたものと同等である。

3.4. 試験法の適合性

被験製品ごとに，4. の関連段落に記載されたとおりに試料調製する。規定の増菌培地に混合する時に各試験菌を添加する。試験菌は個別に接種する。また，接種した試験液中の菌数が 100 CFU 以下相当となるような数の微生物を使用する。

4. の関連段落に記載されたとおりに試験する。ただし，規定された最短培養期間で試験する。

特定微生物は，4. に記載された鑑別反応と共に検出されなければならない。

製品に抗菌活性が認められる場合には，試験方法の変更が必要になる（「生菌数試験」の 4.5.3. を参照）。

ある特定の製品において，規定された方法ではその微生物に対する抗菌活性を中和することができない場合には，抑制された微生物はその製品中には存在しないと見なしてよい。

4. 製品の試験

4.1. 胆汁酸抵抗性グラム陰性菌

4.1.1. 試料調製及び前培養

被験製品を 1 g 以上採り，その 10 倍希釈液を「生菌数試験」に記載したように調製するが，希釈液としてはソイビーン・カゼイン・ダイジェスト培地を用い，混合後，菌を蘇生させるために 20 ～ 25°C で培養する。ただし，増菌を促すほどの時間であってはならない（通例 2 時間であり，5 時間を超えないこと）。

4.1.2. 否定試験

他に規定されない限り，4.1.1. で調製した製品 1 g に相当する量をモーゼル腸内細菌増菌ブイオン培地に接種する。30 ～ 35°C で 24 ～ 48 時間培養後，バイオレット・レッド・胆汁酸・ブドウ糖カンテン培地に移植し，30 ～ 35°C で 18 ～ 24 時間培養する。

集落の発育がみられない場合は，その製品は本試験に適合する。

4.1.3. 定量試験

4.1.3.1. 選択培養

4.1.1. に記載されている調製液及び/又はその希釈液であって，それぞれ被験製品の 0.1 g, 0.01 g, 0.001 g (又は 0.1 mL, 0.01 mL, 0.001 mL) 相当量を，適量のモーゼル腸内細菌増菌ブイオン培地に接種する。30 ～ 35°C で 24 ～ 48 時間培養後，バイオレット・レッド・胆汁酸・ブドウ糖カンテン培地に各培養液を移植し，30 ～ 35°C で 18 ～ 24 時間培養する。

4.1.3.2. 判定

集落の発育が認められた場合は，陽性と判定する。陽性結果を与える製品の最小量と陰性結果を与える最大量に注目し，表 4.05-II-2 から細菌の推定数を求める。

4.2. 大腸菌

4.2.1. 試料調製及び前培養

被験製品を 1 g 以上採り，「生菌数試験」に記載したように調製した 10 倍希釈液の 10 mL，あるいは 1 g 又は 1 mL 相当量を（3.4. で決定した）適切な量のソイビーン・カゼイン・ダイジェスト培地に接種し，混合後，30 ～ 35°C で 18 ～ 24 時間培養する。

4.2.2. 選択培養

容器を振り，ソイビーン・カゼイン・ダイジェスト培地の 1 mL をマッコンキー液体培地 100 mL に接種する。42 ～ 44°C で 24 ～ 48 時間培養後，マッコンキーカンテン培地に移植し，30 ～ 35°C で 18 ～ 72 時間培養する。

4.2.3. 判定

集落の発育が認められた場合は陽性を疑い、同定試験により確認する。

集落が存在しないか、又は同定試験において陰性と判定された場合には、その製品は本試験に適合する。

4.3. サルモネラ

4.3.1. 試料調製及び前培養

被験製品を 10 g 又は 10 mL 採り、(3.4.で決定した) 適量のソイビーン・カゼイン・ダイジェスト培地に接種し、混合後、30 ~ 35°C で 18 ~ 24 時間培養する。

4.3.2. 選択培養

ソイビーン・カゼイン・ダイジェスト培地 0.1 mL をラポポート・バシリアジス・サルモネラ増菌液体培地 10 mL に接種する。30 ~ 35°C で 18 ~ 24 時間培養後、XLD カンテン培地に移植し、30 ~ 35°C で 18 ~ 48 時間培養する。

4.3.3 判定

十分に発育した赤色集落が認められた場合は、中心部の黒点の有無に関わらず陽性を疑い、同定試験により確認する。

記載されている種類の集落が存在しないか、又は同定試験において陰性と判定された場合には、その製品は本試験に適合する。

4.4. 緑膿菌

4.4.1. 試料調製及び前培養

被験製品を 1 g 以上採り、「生菌数試験」に記載したように調製した 10 倍希釈液の 10 mL、あるいは 1 g 又は 1 mL 相当量を (3.4.で決定した) 適量のソイビーン・カゼイン・ダイジェスト培地に接種して混合し、30 ~ 35°C で 18 ~ 24 時間培養する。経皮吸収パッチを試験するときは、「生菌数試験 (4.5.1.)」に記載したように調製し、1 パッチ相当量を滅菌メンブランフィルターでろ過し、そのメンブランフィルターを 100 mL のソイビーン・カゼイン・ダイジェスト培地中に投入する。

4.4.2 選択培養

セトリミドカンテン培地に移植し、30 ~ 35°C で 18 ~ 72 時間培養する。

4.4.3. 判定

集落の発育が認められた場合は陽性を疑い、同定試験により確認する。

集落が存在しないか、又は同定試験において陰性と判定された場合には、その製品は本試験に適合する。

4.5. 黄色ブドウ球菌

4.5.1. 試料調製及び前培養

被験製品を 1 g 以上採り、「生菌数試験」に記載したように調製した 10 倍希釈液の 10 mL、あるいは 1 g 又は 1 mL 相当量を (3.4.で決定した) 適量のソイビーン・カゼイン・ダイジェスト培地に接種して混合し、30 ~ 35°C で 18 ~ 24 時間培養する。経皮吸収パッチを試験するときは、「生菌数試験 (4.5.1.)」に記載したように調製した 1 パッチ相当量を滅菌メンブランフィルターでろ過し、そのメンブランフィルターを 100 mL のソイビーン・カゼイン・ダイジェスト培地中に投入する。

4.5.2. 選択培養

マンニト・食塩カンテン培地に移植し、30 ~ 35°C で 18 ~ 72 時間培養する。

4.5.3. 判定

黄色の帯に囲まれた黄色又は白色集落の発育が認められた場合は陽性を疑い、同定試験により確認する。

記載されている種類の集落が存在しないか、又は同定試験において陰性と判定された場合には、その製品は本試験に適合する。

4.6. クロストリジア

4.6.1. 試料調製及び加熱処理

被験製品を 2 g 又は 2 mL 以上採り、「生菌数試験」に記載したように 10 倍希釈試料液 (最低 20 mL 以上) を調製する。調製した試料液を少なくとも 10 mL ずつ 2 本の容器に分注し、

1 本は 80°C で 10 分間加熱後、速やかに冷却し、他の 1 本は加熱しない。

4.6.2. 選択培養

それぞれから 10 mL あるいは被験製品 1 g 又は 1 mL 相当量を (3.4. で決定した) 適量の強化クロストリジア培地に接種し、嫌氣的条件下で 30 ~ 35°C で 48 時間培養する。培養後、コロンビアカンテン培地に各容器から移植し、嫌氣的条件下で 30 ~ 35°C で 48 ~ 72 時間培養する。

4.6.3. 判定

カタラーゼ反応陰性の桿菌 (芽胞を有するか又は有さない) の嫌氣的発育が認められた場合は、陽性が示唆される。この場合は同定試験を行い確認する。

コロンビアカンテン培地に定型集落の発育がみられないか、又は同定試験において陰性と判定された場合には、その製品は本試験に適合する。

4.7. カンジダ・アルビカンス

4.7.1. 試料調製及び前培養

被験製品を「生菌数試験」に記載したように調製する。その 10 mL, あるいは 1 g 又は 1 mL 以上に相当する量を 100 mL のサブロー・ブドウ糖液体培地に接種して混合し、30 ~ 35°C で 3 ~ 5 日間培養する。

4.7.2. 選択培養

サブロー・ブドウ糖カンテン培地に移植し、30 ~ 35°C で 24 ~ 48 時間培養する。

4.7.3. 判定

白色集落の発育が認められた場合は陽性を疑い、同定試験により確認する。

そのような集落が存在しないか、又は同定試験において陰性と判定された場合には、その製品は本試験に適合する。

なお、以下のセクションは情報提供を目的に記載する。

5. 推奨される溶液及び培地

以下の溶液及び培地は、薬局方の微生物試験で規定されている目的にかなったものである。適合性が確認されれば他の培地を用いてもよい。

保存緩衝液

リン酸二水素カリウム 34 g を 500 mL の水で溶解し、水酸化ナトリウム試液で pH7.0 ~ 7.4 に調整後、水を加えて 1000 mL とし、混合する。容器に分注して滅菌する。2 ~ 8°C で保存する。

リン酸緩衝液 pH7.2

水と保存緩衝液を混合 (800 : 1) して調製し、滅菌する。

ペプトン食塩緩衝液 pH7.0

リン酸二水素カリウム	3.6 g
リン酸水素二ナトリウム二水和物	7.2 g (リン酸塩 0.067 mol に相当する)
塩化ナトリウム	4.3 g
ペプトン (肉製又はカゼイン製)	1.0 g
水	1000 mL

確認されたサイクルで高圧蒸気滅菌する。

ソイビーン・カゼイン・ダイジェスト培地

カゼイン製ペプトン	17.0 g
ダイズ製ペプトン	3.0 g
塩化ナトリウム	5.0 g
リン酸水素二カリウム	2.5 g
ブドウ糖一水和物	2.5 g
水	1000 mL

滅菌後の pH が 25°C で 7.1 ~ 7.5 になるように pH を調整する。確認されたサイクルで高圧蒸気滅菌する。

ソイビーン・カゼイン・ダイジェストカンテン培地

カゼイン製ペプトン	15.0 g
ダイズ製ペプトン	5.0 g

塩化ナトリウム	5.0 g
カンテン	15.0 g
水	1000 mL

滅菌後の pH が 25°C で 7.1 ~ 7.5 になるように pH を調整する。確認されたサイクルで高圧蒸気滅菌する。

サブロー・ブドウ糖カンテン培地

ブドウ糖	40.0 g
ペプトン (肉製及びカゼイン製 1:1)	10.0 g
カンテン	15.0 g
水	1000 mL

滅菌後の pH が 25°C で 5.4 ~ 5.8 になるように pH を調整する。確認されたサイクルで高圧蒸気滅菌する。

ポテト・デキストロースカンテン培地

ジャガイモ浸出液	200 g
ブドウ糖	20.0 g
カンテン	15.0 g
水	1000 mL

滅菌後の pH が 25°C で 5.4 ~ 5.8 になるように pH を調整する。確認されたサイクルで高圧蒸気滅菌する。

サブロー・ブドウ糖液体培地

ブドウ糖	20.0 g
ペプトン (肉製及びカゼイン製 1:1)	10.0 g
水	1000 mL

滅菌後の pH が 25°C で 5.4 ~ 5.8 になるように pH を調整する。確認されたサイクルで高圧蒸気滅菌する。

モーゼル腸内細菌増菌ブイヨン培地

ゼラチン製ペプトン	10.0 g
ブドウ糖一水和物	5.0 g
乾燥ウシ胆汁	20.0 g
リン酸二水素カリウム	2.0 g
リン酸水素二ナトリウム二水和物	8.0 g
ブリリアントグリーン	15 mg
水	1000 mL

加熱後の pH が 25°C で 7.0 ~ 7.4 になるように pH を調整する。100°C で 30 分間加熱し、直ちに冷却する。

バイオレット・レッド・胆汁酸・ブドウ糖カンテン培地

酵母エキス	3.0 g
ゼラチン製ペプトン	7.0 g
胆汁酸塩	1.5 g
塩化ナトリウム	5.0 g
ブドウ糖一水和物	10.0 g
カンテン	15.0 g
ニュートラルレッド	30 mg
クリスタルバイオレット	2 mg
水	1000 mL

加熱後の pH が 25°C で 7.2 ~ 7.6 になるように pH を調整する。煮沸するまで加熱する。オートクレーブで加熱してはならない。

マッコンキー液体培地

ゼラチン製ペプトン	20.0 g
乳糖一水和物	10.0 g
乾燥ウシ胆汁	5.0 g
プロモクレゾールパープル	10 mg
水	1000 mL

滅菌後の pH が 25°C で 7.1 ~ 7.5 になるように pH を調整する。確認されたサイクルで高圧蒸気滅菌する。

マッコンキーカンテン培地

ゼラチン製ペプトン	17.0 g
ペプトン (肉製及びカゼイン製)	3.0 g
乳糖一水和物	10.0 g
塩化ナトリウム	5.0 g
胆汁酸塩	1.5 g
カンテン	13.5 g
ニュートラルレッド	30 mg
クリスタルバイオレット	1 mg
水	1000 mL

滅菌後の pH が 25°C で 6.9 ~ 7.3 になるように pH を調整する。絶えず振り混ぜながら 1 分間煮沸させてから、確認されたサイクルで高圧蒸気滅菌する。

ラバポート・バシリアジス・サルモネラ増菌液体培地

ダイズ製ペプトン	4.5 g
塩化マグネシウム六水和物	29.0 g
塩化ナトリウム	8.0 g
リン酸水素二カリウム	0.4 g
リン酸二水素カリウム	0.6 g
マラカイトグリーン	36 mg
水	1000 mL

若干加温しながら溶かし、115°C を超えない温度で、確認されたサイクルで高圧蒸気滅菌する。加熱及び高圧蒸気滅菌後の pH が 25°C で 5.0 ~ 5.4 になるようにする。

XLD (キシロース・リジン・デソキシコール酸) カンテン培地

キシロース	3.5 g
L-リジン	5.0 g
乳糖一水和物	7.5 g
白糖	7.5 g
塩化ナトリウム	5.0 g
酵母エキス	3.0 g
フェノールレッド	80 mg
カンテン	13.5 g
デソキシコール酸ナトリウム	2.5 g
チオ硫酸ナトリウム	6.8 g
クエン酸アンモニウム鉄(III)	0.8 g
水	1000 mL

加熱後の pH が 25°C で 7.2 ~ 7.6 になるように pH を調整する。煮沸するまで加熱し、50°C まで冷却してからペトリ皿に注ぎ込む。オートクレーブで加熱してはならない。

セトリミドカンテン培地

ゼラチン製ペプトン	20.0 g
塩化マグネシウム	1.4 g
硫酸カリウム	10.0 g
セトリミド	0.3 g
カンテン	13.6 g
水	1000 mL
グリセリン	10.0 mL

振り混ぜながら加熱して 1 分間煮沸する。滅菌後の pH が 25°C で 7.0 ~ 7.4 になるように pH を調整する。確認されたサイクルで高圧蒸気滅菌する。

マンニット・食塩カンテン培地

カゼイン製ペプトン	5.0 g
肉製ペプトン	5.0 g

牛肉エキス	1.0 g
D-マンニトール	10.0 g
塩化ナトリウム	75.0 g
カンテン	15.0 g
フェノールレッド	25 mg
水	1000 mL

振り混ぜながら加熱して1分間煮沸する。滅菌後のpHが25℃で7.2～7.6になるようにpHを調整する。確認されたサイクルで高圧蒸気滅菌する。

強化クロストリジア培地

牛肉エキス	10.0 g
ペプトン	10.0 g
酵母エキス	3.0 g
溶性デンプン	1.0 g
ブドウ糖—水和物	5.0 g
システイン塩酸塩	0.5 g
塩化ナトリウム	5.0 g
酢酸ナトリウム	3.0 g
カンテン	0.5 g
水	1000 mL

カンテンを水和させ、絶えずかき混ぜながら煮沸するまで加熱して溶かす。必要ならば、滅菌後のpHが25℃でおよそ6.6～7.0になるようにpHを調整する。確認されたサイクルで高圧蒸気滅菌する。

コロンビアカンテン培地

カゼイン製ペプトン	10.0 g
肉浸出物のペプシン消化物	5.0 g
心筋浸出物のパンクレアチン消化物	3.0 g
酵母エキス	5.0 g
トウモロコシデンプン	1.0 g
塩化ナトリウム	5.0 g
カンテン (ゲル強度に従って)	10.0 ~ 15.0 g
水	1000 mL

カンテンを水和させ、絶えずかき混ぜながら煮沸するまで加熱して溶かす。必要ならば、滅菌後のpHが25℃で7.1～7.5になるようにpHを調整する。確認されたサイクルで高圧蒸気滅菌する。45～50℃まで冷却後、必要に応じ、ゲンタマイシン塩基20mgに相当する量のゲンタマイシン硫酸塩(硫酸ゲンタマイシン)を加えてペトリ皿に注ぎ込む。

表 4.05- II -1 培地の発育促進, 選択及び鑑別特性

培地	特性	試験菌株
胆汁酸抵抗性グラム陰性菌試験		
モーゼル腸内細菌増菌ブイヨン培地	発育促進	<i>E.coli</i> <i>P.aeruginosa</i>
	選択	<i>S.aureus</i>
バイオレット・レッド・胆汁酸・ブドウ糖カンテン培地	発育促進及び鑑別	<i>E.coli</i> 及び <i>P.aeruginosa</i>
大腸菌試験		
マッコンキー液体培地	発育促進	<i>E.coli</i>
	選択	<i>S.aureus</i>
マッコンキーカンテン培地	発育促進及び鑑別	<i>E.coli</i>
サルモネラ試験		
ラパポート・バシリアジス・サルモネラ増菌液体培地	発育促進	<i>Salmonella enterica</i> subsp. <i>enterica</i> serovar Typhimurium 又は <i>Salmonella enterica</i> subsp. <i>enterica</i> serovar Abony
	選択	<i>S.aureus</i>
XLD (キシロース・リジン・デソキシコール酸) カンテン培地	発育促進及び鑑別	<i>Salmonella enterica</i> subsp. <i>enterica</i> serovar Typhimurium 又は <i>Salmonella enterica</i> subsp. <i>enterica</i> serovar Abony
緑膿菌試験		
セトリミドカンテン培地	発育促進	<i>P.aeruginosa</i>
	選択	<i>E.coli</i>
黄色ブドウ球菌試験		
マンニット・食塩カンテン培地	発育促進及び鑑別	<i>S.aureus</i>
	選択	<i>E.coli</i>
クロストリジア試験		
強化クロストリジア培地	発育促進	<i>Cl.sporogenes</i>
コロンビアカンテン培地	発育促進	<i>Cl.sporogenes</i>
カンジダ・アルビカンス試験		
サブロー・ブドウ糖液体培地	発育促進	<i>C.albicans</i>
サブロー・ブドウ糖カンテン培地	発育促進及び鑑別	<i>C.albicans</i>

表 4.05- II -2 結果の判定

製品の各量に対する結果			製品 1 g 又は 1 mL 当たりの細菌の推定数
0.1 g 又は 0.1 mL	0.01 g 又は 0.01 mL	0.001 g 又は 0.001 mL	
+	+	+	10 ³ より大きい
+	+	-	10 ³ より小さく, 10 ² より大きい
+	-	-	10 ² より小さく, 10 より大きい
-	-	-	10 より小さい



4.06 無菌試験法

本試験法は、三薬局方での調和合意に基づき規定した試験法である。

無菌試験法は、無菌であることが求められている原薬又は製剤に適用される。本試験に適合する結果が得られても、それは単に本試験条件下で調べた検体中に汚染微生物が検出されなかったことを示しているだけである。

1. 微生物汚染に対する予防措置

無菌試験は無菌条件下で行われる。このため、試験環境は無菌試験の実施に適したものでなければならない。汚染を避けるためにとられる予防措置は、本試験で検出されるべきいかなる微生物にも影響を与えてはならない。作業区域の適切な環境モニタリング及び適切な汚染防止措置の実施によって、本試験の実施状態が適切であることを定期的に監視する。

2. 培地及び培養温度

2.1. 一般要件

培地は、次のように調製するか、又は培地性能試験に適合する場合は同等の市販培地も使用できる。無菌試験用として適している培地は次のとおりである。液状チオグリコール酸培地は、嫌気性細菌の培養を主目的としているが、好気性細菌も検出できる。ソイビーン・カゼイン・ダイジェスト培地は、真菌及び好気性細菌の培養に適している。

2.2. 液状チオグリコール酸培地

液状チオグリコール酸培地

L-シスチン	0.5 g
カンテン	0.75g
塩化ナトリウム	2.5g
ブドウ糖（一水和物/無水）	5.5/5.0g
酵母エキス（水溶性）	5.0g
カゼイン製ペプトン	15.0g
チオグリコール酸ナトリウム	0.5g
又はチオグリコール酸	0.3mL
レザズリン溶液（1→1000）, 用時調製	1.0mL
水	1000mL

（滅菌後のpH7.1±0.2）

L-シスチン、カンテン、塩化ナトリウム、ブドウ糖、酵母エキス（水溶性）及びカゼイン製ペプトンを水と混合し、加熱して溶かした後、チオグリコール酸ナトリウム又はチオグリコール酸を加えて溶かし、必要ならば水酸化ナトリウム試液を加え、滅菌後のpHが7.1±0.2になるように調整する。必要ならば、溶液を煮沸しないように加熱し、温かいうちに湿らせたろ紙を用いてろ過する。レザズリン溶液（1→1000）を加え、よく混和した後、培養終了時に培地の淡赤色部分が上部1/2以下にとどまるような表面積と深さの比をもつ容器に所定量ずつ分注し、バリデートされた条件下で滅菌する。培地を保存する必要がある場合にはあらかじめ気密容器に入れて滅菌し、2～25℃で保存する。培地がその上部1/3を超えて淡赤色となった場合は、その淡赤色が消失するまで培地容器を水浴中又は流通蒸気中で加熱し、容器中への汚染空気の侵入を防ぎながら急速に冷却することで1回だけ使用できる。バリデートされた期間を超えて、保存した培地を使用してはならない。

液状チオグリコール酸培地は、30～35℃で培養する。メンブランフィルター法を適用できない水銀系の防腐剤を含む製品に対しては、培地性能試験に適合するなら、ソイビーン・カゼイン・ダイジェスト培地の代わりに液状チオグリコール酸培地を用い、20～25℃で培養することができる。

別に規定する場合は、次のように調製した変法チオグリコール酸培地を用いることができる。カンテンとレザズリン溶液（1→1000）を除き、液状チオグリコール酸培地と同じ成分で調製し、バリデートされた条件下で滅菌する。滅菌後のpHが7.1±0.2になるように調整し、使用直前に水浴中で加熱する。変法チオグリコール酸培地は嫌気条件下で30～35℃で培養する。

2.3. ソイビーン・カゼイン・ダイジェスト培地

ソイビーン・カゼイン・ダイジェスト培地

カゼイン製ペプトン	17.0g
ダイズ製ペプトン	3.0g
塩化ナトリウム	5.0g
リン酸水素二カリウム	2.5g
ブドウ糖（一水和物/無水）	2.5/2.3g
水	1000mL

（滅菌後のpH7.3±0.2）

全成分を水に溶かし、若干加温して溶液にする。溶液を室温に冷却し、必要ならば水酸化ナトリウム試液を加え、滅菌後のpHが7.3±0.2になるように調整する。必要ならばろ過をし、適当な容器に所定量ずつ分注し、バリデートされた条件下で滅菌する。直ちに使用しない場合は、あらかじめ気密容器に入れて滅菌し、2～25℃で保存する。バリデートされた期間を超えて保存した培地を使用してはならない。

ソイビーン・カゼイン・ダイジェスト培地は、20～25℃で培養する。

3. 培地の適合性

培地は、次の試験に適合すること。この試験は、製品の無菌試験実施前に、又は並行して行うことができる。

無菌性

培地の一部を14日間培養するとき、微生物の増殖を認めない。

好気性菌、嫌気性菌及び真菌に対する培地性能試験

市販液体培地及び粉末培地又は各成分から調製した培地の各バッチについて試験を行うこと。適切な微生物株を表4.06-1に示す。

液状チオグリコール酸培地には、次に示す少数（100CFU以下）の微生物を接種する。それぞれの微生物に対しては別々の培地容器を用いる。

Clostridium sporogenes

Pseudomonas aeruginosa

Staphylococcus aureus

ソイビーン・カゼイン・ダイジェスト培地には、次に示す少数（100CFU以下）の微生物を接種する。それぞれの微生物に対しては別々の培地容器を用いる。

Aspergillus niger

Bacillus subtilis

Candida albicans

細菌の場合は3日間、真菌の場合は5日間をそれぞれ超えないで培養する。

接種菌の継代数は、シードロット培養管理手法（シードロットシステム）を採用することにより、マスターシードロットから5代を超えないようにする。

微生物の増殖が肉眼で明らかに観察された場合には、当該培地は基準に適合している。

表4.06-1 培地性能試験及び手法の適合性試験に適している試験用菌株

好気性細菌	
<i>Staphylococcus aureus</i>	ATCC 6538, NBRC13276, CIP 4.83, NCTC 10788, NCIMB 9518
<i>Bacillus subtilis</i>	ATCC 6633, NBRC 3134, CIP 52.62, NCIMB 8054
<i>Pseudomonas aeruginosa</i>	ATCC 9027, NBRC 13275, NCIMB 8626, CIP 82.118
嫌気性細菌	
<i>Clostridium sporogenes</i>	ATCC 19404, NBRC 14293, CIP 79.3, NCTC 532, ATCC 11437
真菌	
<i>Candida albicans</i>	ATCC 10231, NBRC 1594, IP 48.72, NCPF 3179
<i>Aspergillus niger</i>	ATCC 16404, NBRC 9455, IP 1431.83, IMI 149007

4. 手法の適合性試験

次に述べる変更点以外は、「5. 製品の無菌試験」の項に示した方法と、厳密に同じ方法で試験を行う。
メンブランフィルター法

試験に供された容器の内容物をろ過した後、最終回の洗浄液に試験用菌株を100CFU以下加えたものをろ過する。

直接法

試験に供された容器の内容物を培地に加えた後、試験用菌株100CFU以下をその培地に接種する。

どちらの接種方法においても、「好気性菌、嫌気性菌及び真菌に対する培地性能試験」の項で示した菌株を用いる。陽性対照として培地性能試験を行う。培地を含むすべての容器は規定の温度で最長5日間培養する。

培養後、陽性対照に匹敵する肉眼的に明瞭な増殖が得られれば、被検製品は本試験条件下で抗菌活性を持たないか、又は抗菌活性が十分に除去されたものとみなす。当該手法は適切であり、試験条件を変更する必要はない。

被検製品の存在下で陽性対照に匹敵する肉眼的に明瞭な増殖が得られなければ、被検製品は当該試験条件下では十分除去できない抗菌活性を有している。この場合、抗菌活性を除去するために条件を変えて手法の適合性試験を繰り返す。

手法の適合性試験を行うのは、新しい製品に無菌試験を行う場合及び試験の実施条件に変更があった場合である。

手法の適合性試験は被検製品の無菌試験と同時にすることもできる。

5. 製品の無菌試験

5.1. 一般要件

試験はメンブランフィルター法又は直接法によって行われる。試験には適切な陰性対照を置くこと。メンブランフィルター法は、ろ過可能な製品に適用する。例えば、ろ過可能な水性、アルコール性又は油性の製品及び本試験条件下で抗菌力を有しない水性又は油性の溶剤に混和若しくは溶解する製品に対して用いる。

5.2. メンブランフィルター法

メンブランフィルターは、微生物の捕集効率が確立されている公称孔径が0.45 µm以下のものを用いる。例えば、水溶性、油性又は低濃度のアルコール性溶液にはセルロースナイトレートフィルターを用い、高濃度のアルコール性溶液にはセルロースアセテートフィルターを用いる。抗生物質のような医薬品には、別途適切なフィルターが必要な場合もある。

次に示す手法は、直径約50mmのメンブランフィルターの使用を想定している。もし異なる直径のフィルターを用いる場合には、希釈及び洗浄液の容量はそれに応じて調製すべきである。ろ過器やメンブランフィルターは適切な方法で滅菌する。ろ過装置は、無菌条件下で被検溶液を導入・ろ過でき、メンブランフィルターの無菌的取りはずしと培地への移植ができるか、又はろ過器そのものに培地を加えて培養するのに適するように設計されていなければならない。

水性液剤

1g/Lの肉製又はカゼイン製ペプトン溶液 (pH7.1±0.2) のような無菌希釈液の少量をろ過器中のメンブランフィルター上に注ぎろ過する。希釈液には、例えば抗生物質が試験対象の場合には、適切な中和剤や不活化剤を加えることができる。

試験すべき容器の内容物を必要なら手法の適合性試験で選んだ無菌希釈液の量で希釈後、表4.06-2に示した量より少なくならないように、1枚又は複数のメンブランフィルター上に移し、直ちにろ過する。当該製品が抗菌活性を有している場合には、手法の適合性試験で用いた無菌希釈液の量でメンブランフィルターを3回以上洗浄する。手法の適合性試験において抗菌活性を十分に除去できないことが立証されていても、メンブランフィルター当たり100mLの洗浄液で5回を超えては洗浄しないこと。メンブランフィルターをろ過器から外し、半分に切断するか、あらかじめ試料溶液を二等分し、それぞれにつき同一のろ過操作を行うことによって得られた2枚のメンブランフィルターをそれぞれの培地に入れる。各培地の量は、手法の適合性試験で確立した量を用いる。又はメンブランフィルターを装着したろ過器内に試料溶液を二等分ろ過後、それぞれの培地を加える。培地を14日間以上培養する。

水溶性固形剤

各培地に対し、表4.06-2に規定する量以上を用いる。添付の溶剤、注射用水、生理食塩液又は1g/L肉製若しくはカゼイン製ペプトン中性溶液のような適切な溶剤に溶解し、選んだ溶剤に適したメンブランフィルターを用いて「水性液剤」の項に示したように試験を行う。

油及び油性液剤

各培地に対し、表4.06-2に規定する量以上を用いる。粘度の低い油及び油性液剤は、希釈せずに乾いたメンブランフィルターでろ過する。粘稠性の油は、当該試験条件下で抗菌性がないことが立証されたミリスチン酸イソプロピルのような適切な無菌溶剤で希釈できる。油が自重によりメンブランフィルターに浸透した後、徐々に加圧又は吸引することによってろ過する。手法の適合性試験で適切であることが証明されている濃度の適切な乳化剤（例えば10g/Lポリソルベート80）を含む1g/L肉製又はカゼイン製ペプトン中性溶液のような適切な無菌溶液を用い、メンブランフィルター当たり約100mLずつで少なくとも3回洗浄する。「水性液剤」の項に示したようにメンブランフィルターを培地に移す、又はろ過器に培地を加え、同じ温度で同じ期間培養する。

軟膏剤及びクリーム

各培地に対し、表4.06-2に規定する量以上を用いる。脂肪基剤の軟膏剤や油中水型の乳剤は上述のようにミリスチン酸イソプロピルで1%に希釈する。必要ならば40℃以下で加温する。例外的な場合で44℃以下までの加温が必要なこともある。できるだけ迅速にろ過した後、「油及び油性液剤」の項に示したように操作を進める。

表4.06-2 各培地当たりの最少試料採取量

容器の内容容量	他に規定されていない限りそれぞれの培地に接種する最少量
液剤	
1 mL 未満	全量
1 mL 以上 40 mL 以下	半量、ただし1 mL 以上
40 mL 超 100 mL 以下	20 mL
100 mL 超	10%、ただし20 mL 以上
抗生物質の液剤	1 mL
懸濁又は乳化して用いる非水溶性医薬品、クリーム又は軟膏剤	200 mg 以上
固形剤	
50 mg 未満	全量
50 mg 以上 300 mg 未満	半量、ただし50 mg 以上
300 mg 以上 5 g 以下	150 mg
5 g 超	500 mg

5.3. 直接法

別に規定するほか、表4.06-2に示す量の製品を、その容量が培地容量の10%を超えないように培地に直接接種する。被検製品が抗菌活性を有する場合は、適切な中和剤で中和した後、又は十分な量の培地で希釈することによって試験を行う。大容量の製品を使用する必要があるとき、接種による希釈影響を考慮に入れて高濃度の培地を用いる方が好ましい場合もある。適切な場合は、高濃度培地を容器内の製品に直接加えることも可能である。

油性液剤

手法の適合性試験において適切であることが証明された適切な乳化剤を適切な濃度に加えた（例えば10g/Lポリソルベート80）培地を用いる。

軟膏剤及びクリーム

1g/L肉製又はカゼイン製ペプトン中性溶液のような適切な無菌希釈液中で、選択された乳化剤で乳化することにより約1:10に希釈する。この希釈物を乳化剤を含まない培地に移植する。

接種した培地は14日間以上培養する。培養を培養期間中に数回観察する。油性製品を含む培養は毎日穏やかに振る。ただし、嫌気性菌の検出のために液状チオグリコール酸培地を用いている場合は、嫌気条件を維持するために振とうや混合は最小限に保つ。

6. 観察と結果の判定

培養期間中及び最終日に、培地に肉眼的な微生物の増殖があるかどうかを調べる。被検材料が培地を混濁させ、微生物増殖の有無を肉眼的に容易に判定できない場合には、培養開始から14日後に当該培地の一部（1mL以上）を同じ培地の新たな容器に移し、元の培地と移植した培地の両方を4日間以上培養する。

微生物の増殖が観察されない場合は、被検製品は無菌試験に適合する。微生物の増殖が観察された場合は、当該被検製品に無関係な原因により試験が無効であったことを明確に証明できなければ、被検製品は無菌試験に適合しない。以下の条件のうち一つ以上を満たした場合のみ当該試験は無効と考えられる。

- a) 無菌試験施設の微生物学的モニタリングデータに問題が認められた場合
- b) 無菌試験中に用いた試験方法を調査した結果、問題が認められた場合
- c) 陰性対照中に微生物の増殖が認められた場合

d) 当該無菌試験から分離された微生物の同定後、この菌種の増殖が無菌試験実施中に用いた材料及び手技又はそのいずれかに問題があると明らかに判断される場合

試験が無効であることが判明したら、初回試験と同じ数の容器を用いて再試験を行う。再試験において微生物の増殖が観察されない場合は、被検製品は無菌試験に適合する。再試験において微生物の増殖が観察された場合には、被検製品は無菌試験に適合しない。

7. 無菌試験への適合が要求される注射剤及び眼軟膏剤、点眼剤等の非注射剤への試験の適用

メンブランフィルター法を用いる場合は、可能ならいつでも容器内の全量を用いる。ただし、表4.06-2に示す量以上を用いる。必要ならば1g/L肉製又はカゼイン製ペプトン中性溶液のような適切な無菌溶液で約100mLになるよう希釈する。

直接法を用いる場合は、他に規定されていなければ表4.06-2に示す量を用いる。被検製品の同じ試料について細菌及び真菌に対する無菌試験を行う。1容器中の内容量が両試験を行うのに不十分な場合は、異なる培地に接種するのに2容器以上の内容物を用いる。

8. 最少供試個数

最少供試個数は、ロット当たりの製造個数に応じて、表4.06-3に示す個数を用いる。

表4.06-3 最少供試個数

ロット当たりの製造個数*	他に規定されていない限り、それぞれの培地当たりの最少試験個数**
注射剤 100 容器以下 101 容器以上 500 容器以下 501 容器以上	10%又は4 容器のうち多い方 10 容器 2%又は20 容器（大容量製剤の場合は、10 容器）のうち少ない方
眼軟膏剤、点眼剤等の非注射剤 200 容器以下 201 容器以上 単回使用製品の場合は、上欄の注射剤についての規定を適用する	5%又は2 容器のうち多い方 10 容器
固形バルク製品 4 容器以下 5 容器以上 50 容器以下 51 容器以上	各容器 20%又は4 容器のうち多い方 2%又は10 容器のうち多い方

* ロット当たりの製造個数が不明の場合には、本欄に示した最大数を用いること。

** 1容器の容量が二つの培地に接種するのに十分な場合は、本欄は両培地合わせて必要な供試容器数を示す。

6.09 崩壊試験法

装置の項の補助板を次のように改める。

装置

略

補助盤 補助盤は、各条にその使用が規定されている場合にのみ、各ガラス管に入れて使用できる。補助盤は、高さ 9.5 ± 0.15 mm、直径 20.7 ± 0.15 mm の円柱状で、比重 $1.18 \sim 1.20$ の透明なプラスチックからなる。補助盤には、盤の上下を垂直に貫く直径 2 ± 0.1 mm の孔が五つ平行に開いており、一つは補助盤の中心に、他の四つは中心から 6 ± 0.2 mm の距離にそれぞれ等間隔に開いている。補助盤の側面には、盤面とほぼ直角に、同一の台形状の切り込みが4つ等間隔にある。台形は対称形で、上下の平行線は、中心軸から6 mm にある隣接した2つの孔を結ぶ線と平行に位置している。台形の平行線の下線部は長さ 1.6 ± 0.1 mm で円周部から深さ $1.5 \sim 1.8$ mm の位置にあり、上線部は長さ 9.4 ± 0.2 mm で深さ 2.6 ± 0.1 mm の位置にある。補助盤は図 6.09-1 の規格に適合するもので、表面はすべて滑らかである。補助盤の使用が規定されている場合は、それぞれのガラス管に1個の補助盤を入れ、操作法に従い試験する。なお、崩壊を自動的に検出する目的で、加工した特殊な補助盤を用いる場合、その補助盤の比重、サイズは規格に適合するものでなければならない。また、それが使用できるのは各条で規定されている場合に限られる。

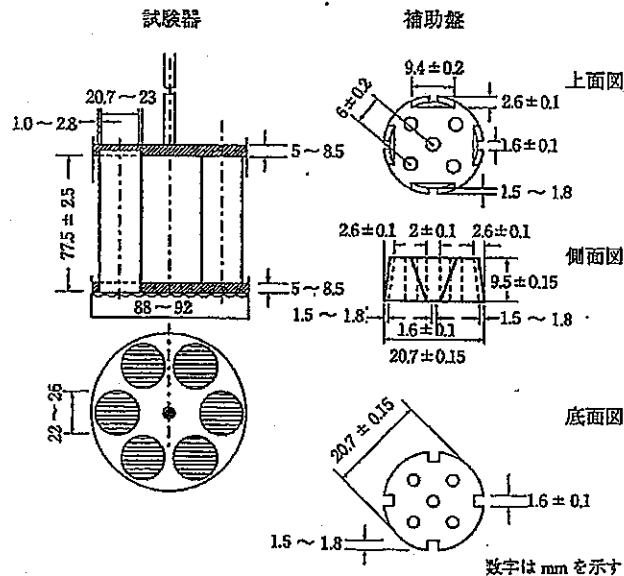
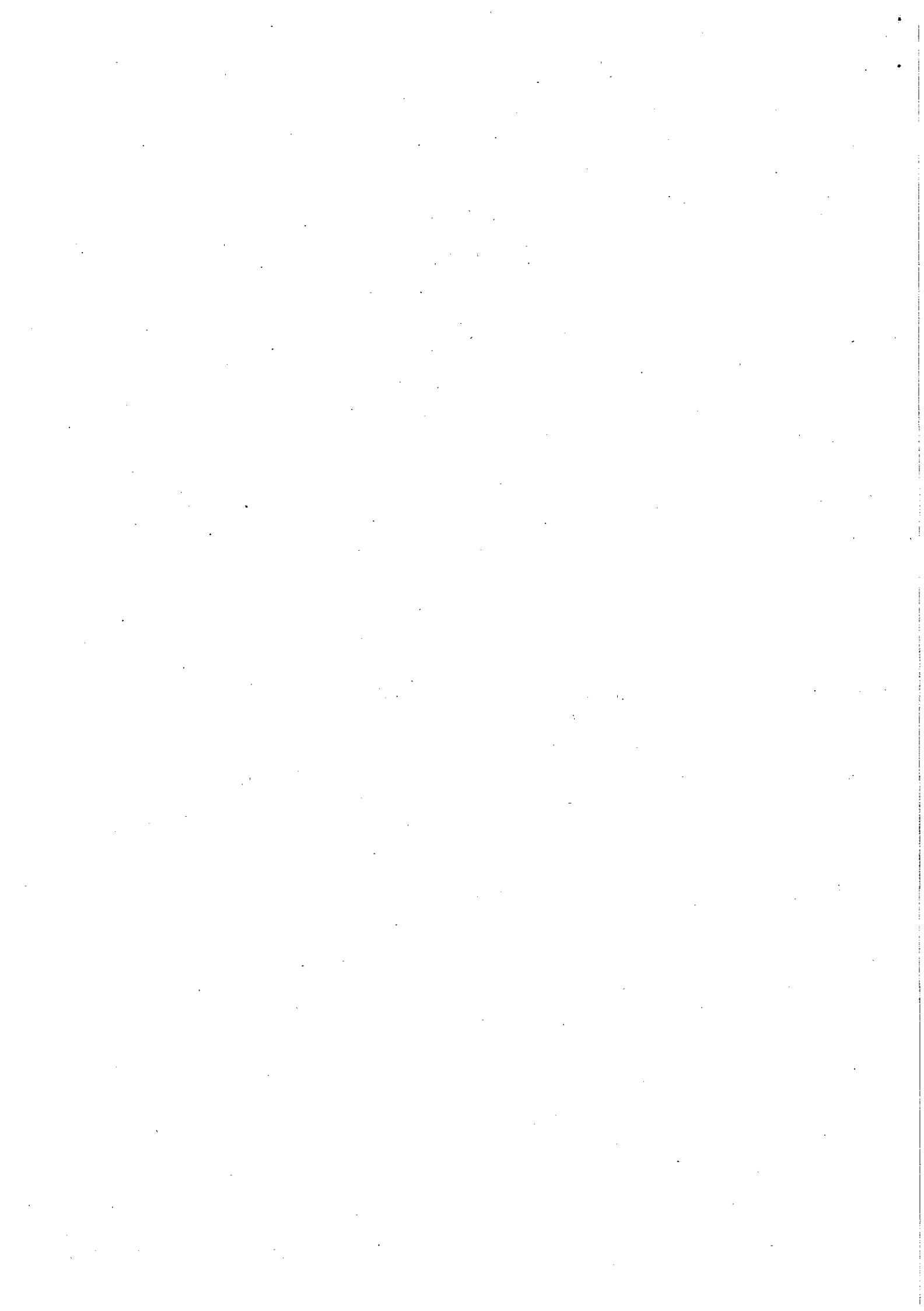


図 6.09-1



6.10 溶出試験法

操作の項の即放性製剤の試験液を次のように改める。

操作

回転バスケット法及びパドル法

即放性製剤

操作：規定された容器に規定された容量（±1%）の試験液を入れ、装置にセットする。試験液を $37\pm 0.5^{\circ}\text{C}$ に保ち、温度計を取り除く。試料の表面に気泡が付かないように注意しながら各容器に試料を入れ、直ちに規定された回転速度で装置を作動させる。規定された間隔で又は規定された時間に、試験液の上面と回転バスケット又はパドルの攪拌翼の上面との中間で容器壁から10 mm 以上離れた位置から、試験液を採取する。（注：複数回の試験液の採取が規定されている試験では、採取された量と等しい容量の 37°C の試験液を補充するか又は試験液の補充が必要ない場合には計算するとき容量変化を補正する。試験中、容器にはふたをし、適度な間隔で容器内の試験液の温度を確認する。）指示された分析法を用いて溶出した有効成分量を測定する³。他の試料についても同様の操作を行う。

試験液の採取が自動化された装置を用いるか若しくは装置に手を加えて変更する場合には、それらの装置が一般試験法に示されている標準的な装置を用いて得た結果と同等の結果が得られることを確認しなければならない。

試験液：適切な試験液を用いる。規定された液量は、 $20\sim 25^{\circ}\text{C}$ での計量値に相当する。試験液が緩衝液の場合、pHを規定値の±0.05以内となるように調整する。（注：試験液に溶存している気体は気泡の原因となることがあり、試験結果に影響を与えることがある。溶存している気体が溶出試験結果に影響を及ぼす場合には、試験の前に脱気する⁴。）

試験時間：1 時点での測定が規定されているときは、規定された溶出率に達した場合には、その時間より早く試験を終了することができる。それ以外では、規定された時間の±2% 以内で試験液を採取する。

